

N4000 series

spare part list

N4080

Front	2
Controls	30
Back	40

N4090

Front	4
Controls	32
Back	40

N4097

Front	6
Controls	34
Back	40

N4100

Front	8
Controls	32
Back	42

N4104

Front	10
Controls	34
Back	42

N4108

Front	12
Controls	32
Back	40

N4112

Front	14
Controls	34
Back	40

N4141

Front	18
Controls	38
Back	44

N4142

Front	20
Controls	38
Back	44

N4145

Front	22
Controls	32
Back	46

N4150

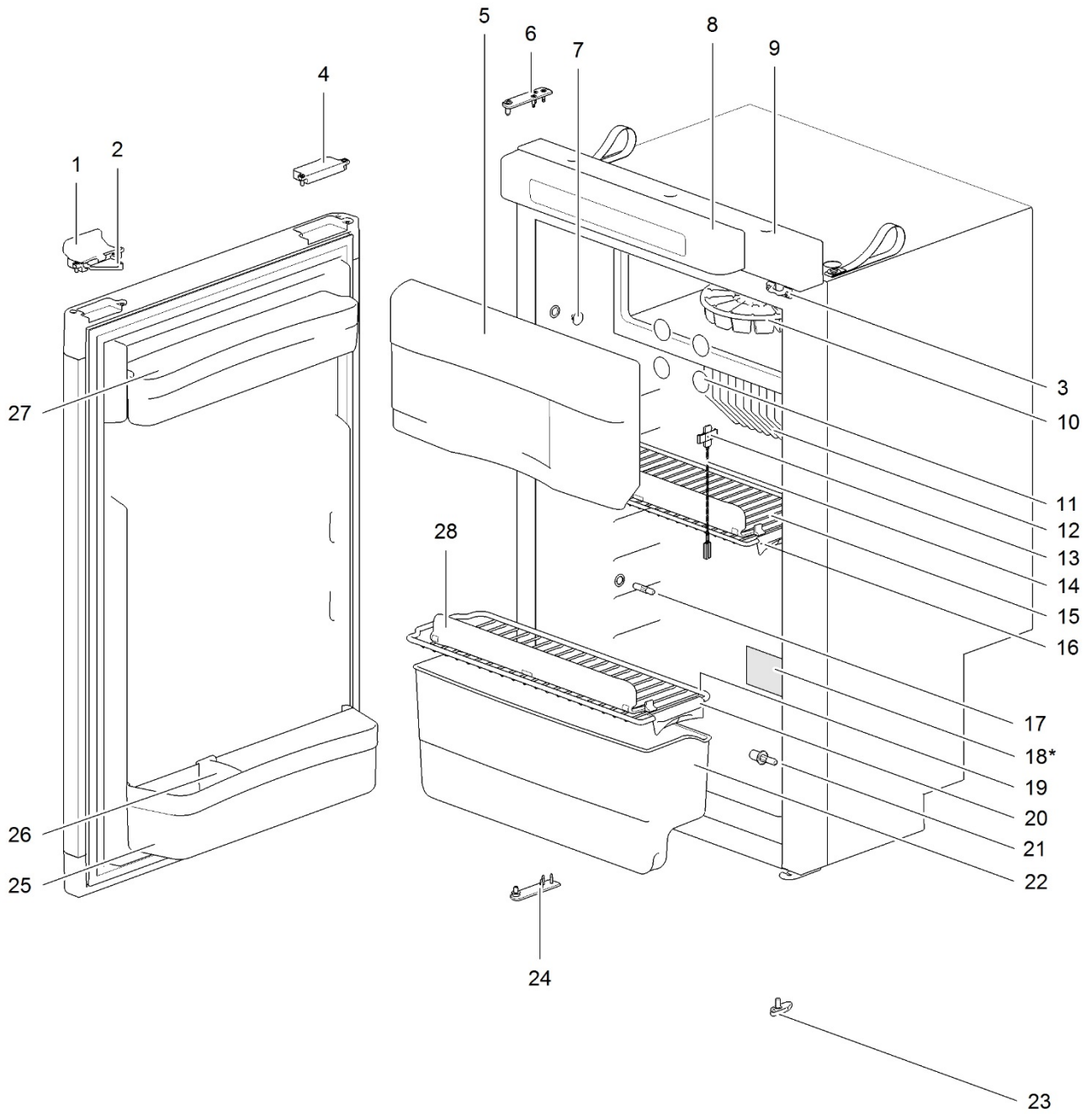
Front	24
Controls	34
Back	46

N4170

Front	26
Controls	32
Back	46

N4175

Front	28
Controls	34
Back	46



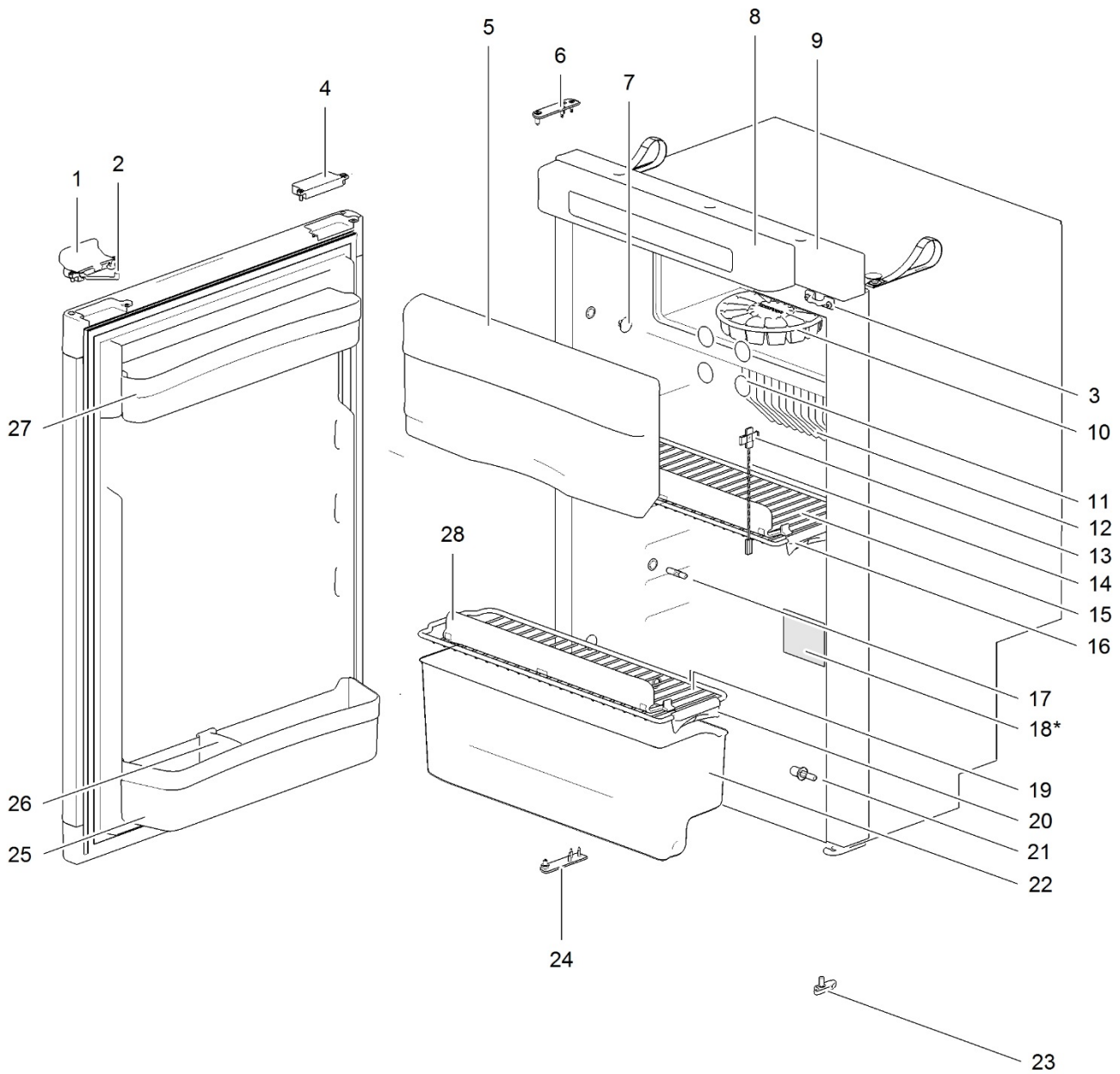
18*

<p>Model No _____ Type CE</p> <p>Series No _____ Check Class EN</p>	
<p>230 VAC / 50 / 60 Hz / 1.65 W / 12 VDC / 140 W</p>	
<p>Größe Volumen Netto Volumen Volumen Brutto Brutto Volumen</p>	<p>100 L</p>
<p>Frühjahr Volumen Schneefach Volumen Volumen Kompartiment Volumen Unterraum</p>	<p>030G31-28-2007 mbm 138P 0300031 30 mbm</p>
<p>Netto Brutto Volumen Brutto Volumen</p>	<p>100</p>
<p>SS 082 8K2287 Part No: 034607</p>	
<p>ABSORBER NH3 = 194.9 g NACHDRA = 10.1 g g max = 21 kg</p>	
<p>CFC-KLASSIF. FREI / FCKW-FREI</p>	
<p>©2019 0320_SeriesFridge_CDR</p>	

LE974_N3080-front_1015-V03

		Spare part number	Spare part number	Colours available
1	Latch			27
2	Storage strap (2x)	626986	626985	27
3	Strike plate			
4	Pocket cover			
5	Freezer door		623036	08
	Hinge freezer door (2x)	624680		08
6	Hinge plate			
7	Cap (2x)	623622		08
8	Control panel	<i>Refer to page 30</i>		
9	Mounting box			
10	Ice cube tray			
11	Cap freezer bolt (12x)	624479		08
12	Fin			
13	Fin clip	623059		
14	Thermistor	623077		
15	Shelf 416 x 176	690800		08
16	Clip shelf small	623626		08
17	Hinge pin			
18	Identification label *			
19	Shelf 416 x 130	690801		08
20	Clip shelf small	623626		08
21	Hinge pin			
22	Vegetable bin	690802		08
23	Latch bottom	624001		27
24	Hinge plate			
25	Door bin flat wide	690804		08
26	Bottle retainer	626989		12
27	Door bin flat shallow	690803		08
28	Shelf food retainer	691114		08

* With a request for information or service, always provide the serial number of the refrigerator. The serial number is the code below the barcode on the identification label.



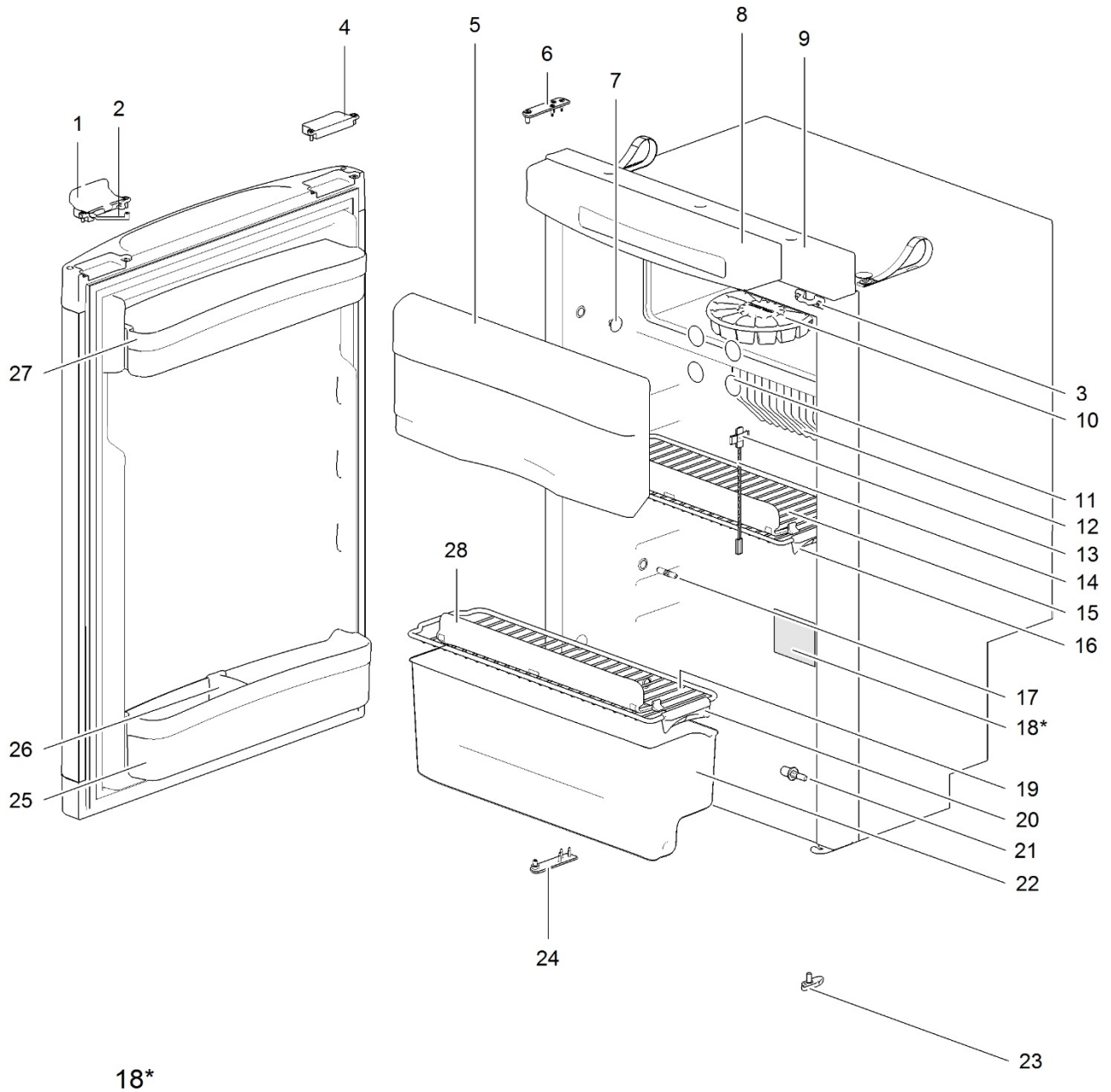
18*



LE978_N3090-front_1015-V03

	Spare part number	Spare part number	Spare part number	Colours available
1	Latch			
2	Storage strap (2x)	626986	691468	27
3	Strike plate			
4	Pocket cover			
5	Freezer door		690852	08
	Hinge freezer door (2x)	624680		
6	Hinge plate			
7	Cap (2x)	623622		08
8	Control panel	<i>Refer to page 32</i>		
9	Mounting box			
10	Ice cube tray			
11	Cap freezer bolt (12x)	624479		08
12	Fin			
13	Fin clip	623059		
14	Thermistor	623077		
15	Shelf 455 x 179	690814		08
16	Clip shelf small	623626		08
17	Hinge pin			
18	Identification label *			
19	Shelf 455 x 133	690815		08
20	Clip shelf small	623626		08
21	Hinge pin			
22	Vegetable bin	690816		08
23	Latch bottom	624001		27
24	Hinge plate			
25	Door bin flat wide	690818		08
26	Bottle retainer	626989		12
27	Door bin flat shallow	690817		08
28	Shelf food retainer	691188		08

* With a request for information or service, always provide the serial number of the refrigerator. The serial number is the code below the barcode on the identification label.



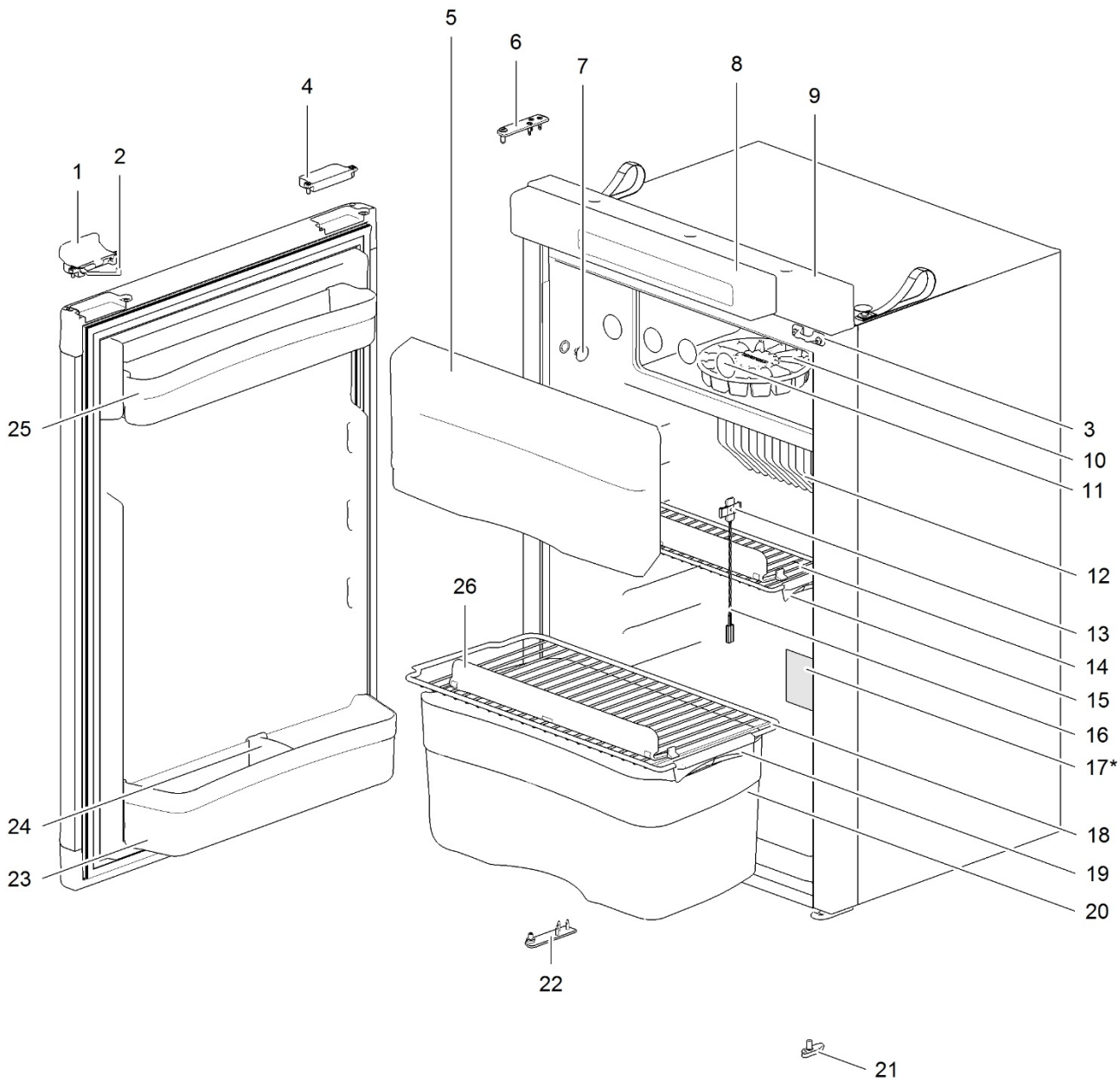
18*

Model No Serie No		Type C13	CE
230 Frost-Free, 100 L, 15.5 kWh, 12.5°C, 1.60 kW		Climate Class SN	603
Drink Volume Storage Volume Volume Frost Storage Volume	100 L 100 L 100 L 100 L	100 L 100 L 100 L 100 L	100 L 100 L 100 L 100 L
Frost Volume Defrost Cycle Volume Control Volume Control		100 L 100 L 100 L 100 L	100 L 100 L 100 L 100 L
Net Volume Net Volume	100 L 100 L 100 L 100 L	100 L 100 L 100 L 100 L	100 L 100 L 100 L 100 L
CE 0963 EN3257		Part No: 634567	634567
ABSORBER: R63 = 154.9 g NA2CO3 = 10.1 g P R64 = 21 ml		634567 9020_SerieFridge_EUR	
CFC=HCFC, FREE / FKW, FCKW FREE		9020_SerieFridge_EUR	

LE988_N3097-front_1015-V03

	Spare part number	Spare part number	Spare part number	Colours available
1	Latch			
2	Storage strap (2x)	626986	691739	27
3	Strike plate			
4	Pocket cover			
5	Freezer door		690852	08
	Hinge freezer door (2x)	624680		
6	Hinge plate			
7	Cap (2x)	623622		08
8	Control panel	<i>Refer to page 34</i>		
9	Mounting box			
10	Ice cube tray			
11	Cap freezer bolt (12x)	624479		08
12	Fin			
13	Fin clip	623059		
14	Thermistor	623077		
15	Shelf 455 x 179	690814		08
16	Clip shelf small	623626		08
17	Hinge pin			
18	Identification label *			
19	Shelf 455 x 133	690815		08
20	Clip shelf small	623626		08
21	Hinge pin			
22	Vegetable bin	690816		08
23	Latch bottom	624001		27
24	Hinge plate			
25	Door bin flat wide	690824		08
26	Bottle retainer	626989		12
27	Door bin flat shallow	690823		08
28	Shelf food retainer	691188		08

* With a request for information or service, always provide the serial number of the refrigerator. The serial number is the code below the barcode on the identification label.



17*

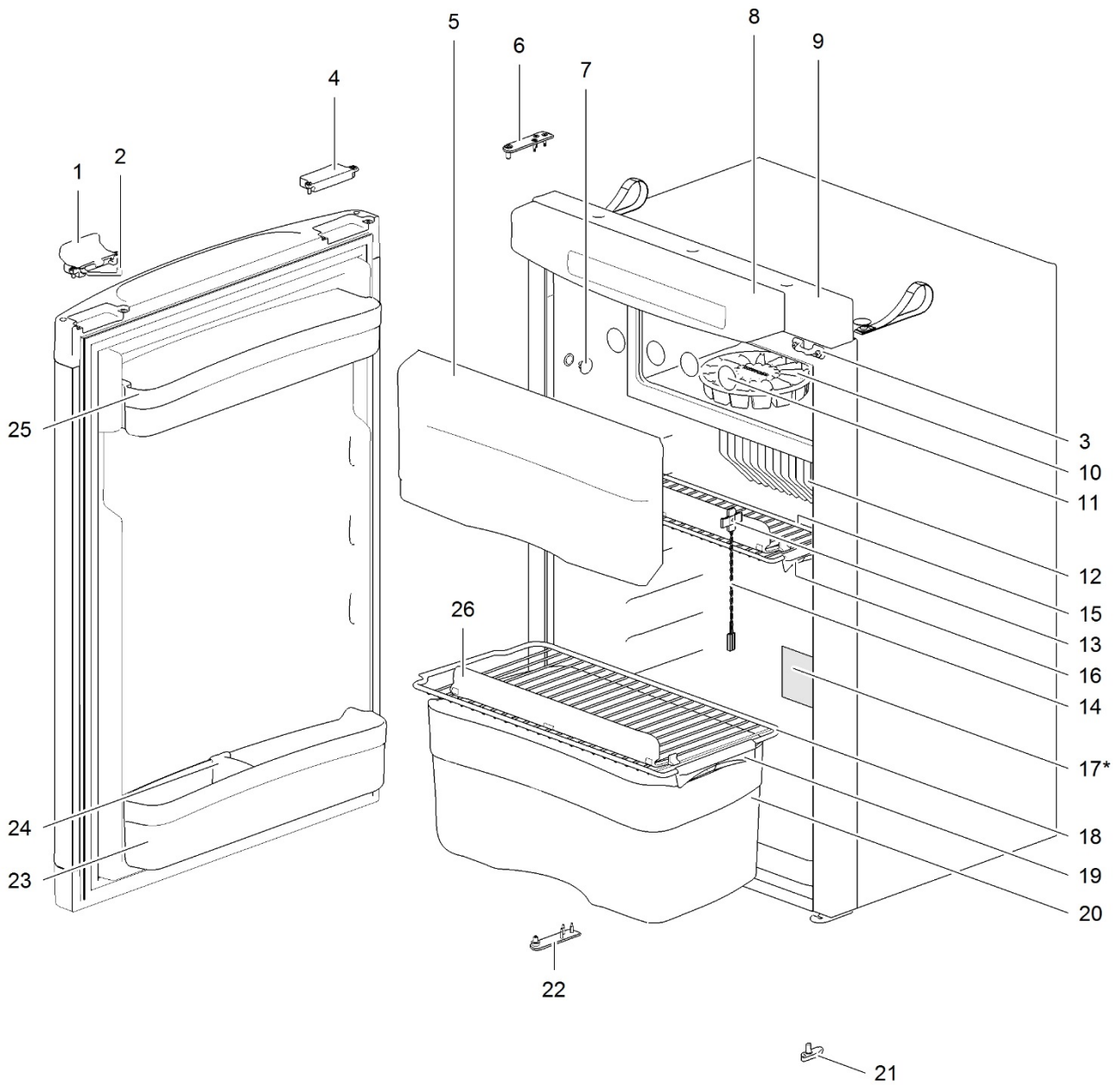
TRIFLEX Model No. <input type="text"/> Type C11 Serie No. <input type="text"/>	
230 VAC / 50 Hz / 155 W / 12 VDC / 140 W Climate Class GSD 53012	
Gross Volume Brutto Volumen Volume Bruto Brutto Volumen	108 L 108 L 108 L 108 L
Freezer Volume Gefrierfach Volumen Volumen Comp.	0/30/31/38/30/37 inches 0/30/31/38 inches 0/30/31/38 inches
Net Netto Volume Net Netto Volumen	102 L 102 L 102 L 102 L
CE 0663 EN1297 ABSORBER NH3 = 154.6 g N2/C2H6 = 10.1 g g max = 21 kg CFC-HCFC-FREE / FKW, FCWV-FREI	Part No. 034527 830019 9020_Serial/Plaque_EUR

SPECIMEN

LE989_N3100-front_1015-V03

		Spare part number	Spare part number	Spare part number	Colours available
1	Latch				
2	Storage strap (2x)	626986	691468		27
3	Strike plate				
4	Pocket cover				
5	Freezer door		690852		
	Hinge freezer door (2x)	624680			08
6	Hinge plate				
7	Cap (2x)	623622			08
8	Control panel	<i>Refer to page 32</i>			
9	Mounting box				
10	Ice cube tray				
11	Cap freezer bolt (12x)	624479			08
12	Fin				
13	Fin clip	623059			
14	Shelf 455 x 133	690815			08
15	Clip shelf small	623626			08
16	Thermistor	623077			
17	Identification label *				
18	Shelf 454 x 220	690828			08
19	Clip shelf large	623625			08
20	Vegetable bin	690829			08
21	Latch bottom	624001			27
22	Hinge plate				
23	Door bin flat wide	690818			08
24	Bottle retainer	626989			12
25	Door bin flat shallow	690817			08
26	Shelf food retainer	691188			08

* With a request for information or service, always provide the serial number of the refrigerator. The serial number is the code below the barcode on the identification label.

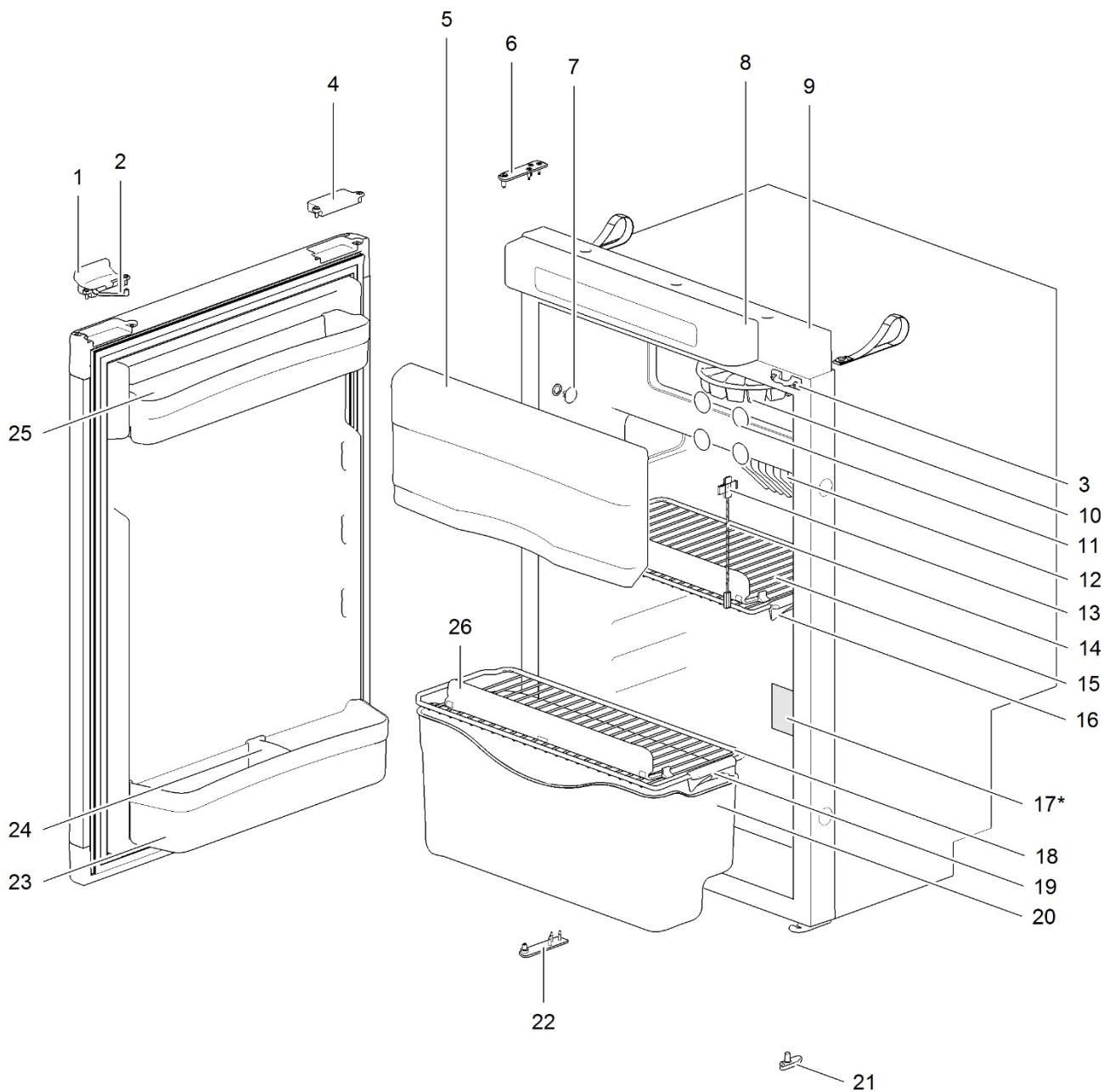


17*

Model No		Type	CE
Serial No		Climate Class	SD
230 VAC 50/60 Hz 153 W 92 VDC 1.60 W			
Grass Volume	108 L		
Wet Volume	108 L		
Volume (Dry)	108 L		
Wet Volume	108 L		
Processor Volume	116.300031 28.30037 ml		
Compressor Volume	138P G309511 30 ml		
Volume Control			
Year			
Month			
Volume (Dry)	108		
Wet Volume			
ED13N1000611			
CE DHS BA3287	SNP 101	G26827	
ABSORBER NH5 + 154.9 g	NAC2704 + 19.1 g	gross + 21 bar	
CFC4+HCFC FREE (FROST FREE)			
		620019	
		9620_ServiziErgo_EUR	

		Spare part number	Spare part number	Spare part number	Colours available
1	Latch				
2	Storage strap (2x)	626986	691739		27
3	Strike plate				
4	Pocket cover				
5	Freezer door		690852		08
	Hinge freezer door (2x)	624680			
6	Hinge plate				
7	Cap (2x)	623622			08
8	Control panel	<i>Refer to page 34</i>			
9	Mounting box				
10	Ice cube tray				
11	Cap freezer bolt (12x)	624479			08
12	Fin				
13	Fin clip	623059			
14	Thermistor	623077			
15	Shelf 455 x 133	690815			08
16	Clip shelf small	623626			08
17	Identification label *				
18	Shelf 454 x 220	690828			08
19	Clip shelf large	623625			08
20	Vegetable bin	690829			08
21	Latch bottom	624001			27
22	Hinge plate				
23	Door bin curved wide	690824			08
24	Bottle retainer	626989			12
25	Door bin curved shallow	690823			08
26	Shelf food retainer	691188			08

* With a request for information or service, always provide the serial number of the refrigerator. The serial number is the code below the barcode on the identification label.



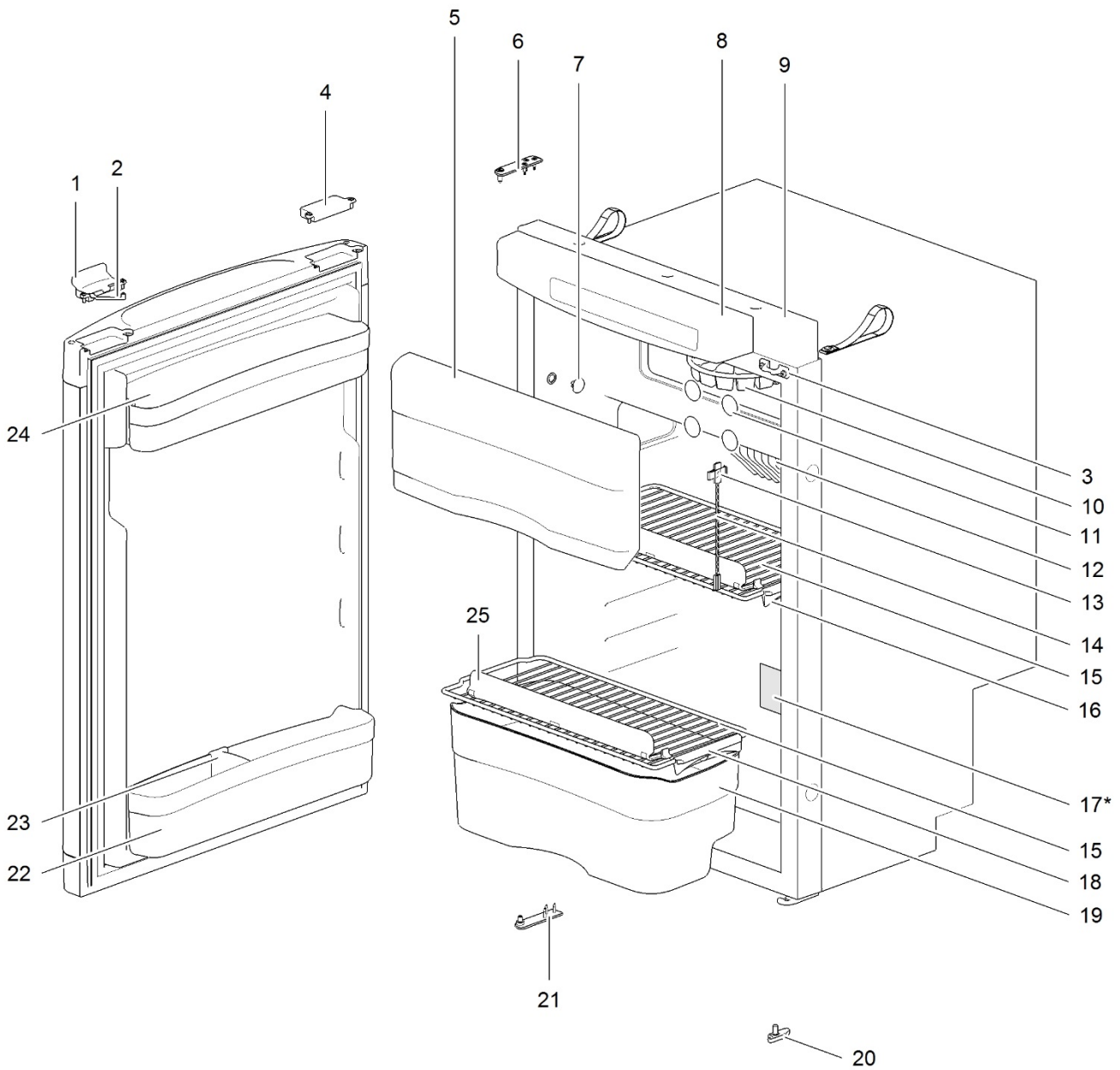
17*

Model No		Type C11 C4	CE
Serie No		Climate Class SN	
220 VAC 50/60 Hz 100-120 W 12 VDC 1.140 W 130x112			
Größe Volumen	100 L	Drh	20 min
Brutto Volumen			
Volumen Einst			
Brutto Volumen			
Prozessor Volumen	4-632021-28-3027 mlter		
Gasfüllung	R600a (ISBP 630G01: 30 mlter)		
Werkstoff			
Nett	102		
Nett			
Nett			
Nett			
CE 0803 043287	Part No	634827	
ABSORBER NH3 = 154.5 g	NA3CR04 = 15.1 g	gross = 31 mlter	
CPFC HCFC, FREE (FOM, FOM FREE)		E2019 0020_SerieFridge_EUR	

LE991_N3108-front_1015-V02

		Spare part number	Spare part number	Spare part number	Colours available
1	Latch				
2	Storage strap (2x)	626986	691468		27
3	Strike plate				
4	Pocket cover				
5	Freezer door		690852		
	Hinge freezer door (2x)	624680			08
6	Hinge plate				
7	Cap (2x)	623622			08
8	Control panel	<i>Refer to page 32</i>			
9	Mounting box				
10	Ice cube tray				
11	Cap freezer bolt (12x)	624479			08
12	Fin				
13	Fin clip	623059			
14	Thermistor	623077			
15	Shelf 454 x 205	690831			08
16	Clip shelf large	623625			08
17	Identification label *				
18	Shelf 455 x 174	690832			08
19	Clip shelf small	623626			08
20	Vegetable bin	690833			08
21	Latch bottom	624000			27
22	Hinge plate				
23	Door bin flat wide	690818			08
24	Bottle retainer	626989			12
25	Door bin flat shallow	690817			08
26	Shelf food retainer	691188			08

* With a request for information or service, always provide the serial number of the refrigerator. The serial number is the code below the barcode on the identification label.



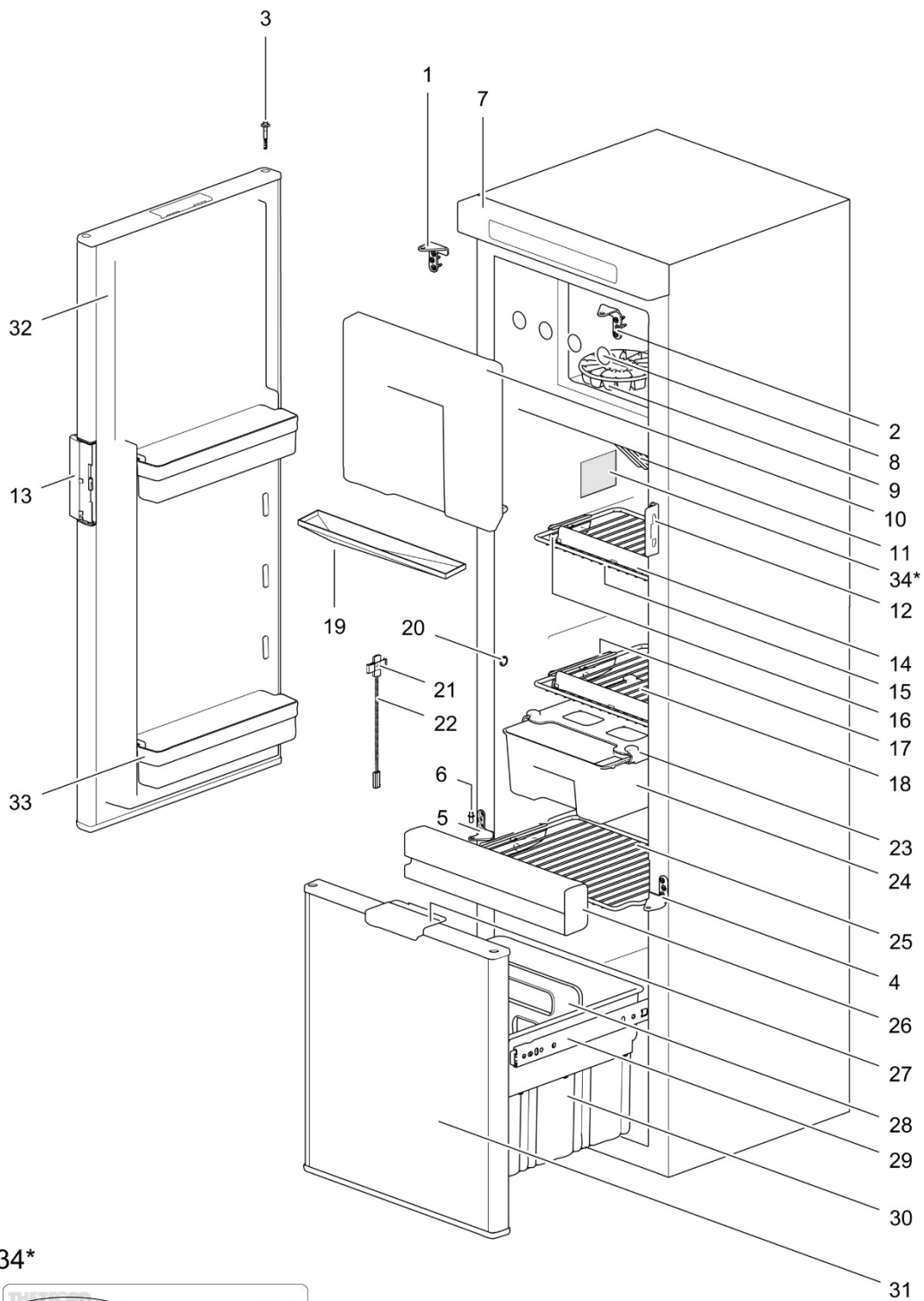
17*



LE992_N3112-front_1015-V04

		Spare part number	Spare part number	Spare part number	Colours available
1	Latch				
2	Storage strap (2x)	626986	691739		27
3	Strike plate				
4	Pocket cover				
5	Freezer door		690852		
	Hinge freezer door (2x)	624680			08
6	Hinge plate				
7	Cap (2x)	623622			08
8	Control panel LED	<i>Refer to page 34</i>			
9	Mounting box				
10	Ice cube tray				
11	Cap freezer bolt (12x)	624479			08
12	Fin				
13	Fin clip	623059			
14	Thermistor	623077			
15	Shelf 454 x 205	690831			08
16	Clip shelf large	623625			08
17	Identification label *				
18	Clip shelf large	623625			08
19	Vegetable bin	690834			08
20	Latch bottom	624001			27
21	Hinge plate				
22	Door bin curved wide	690824			08
23	Bottle retainer	626989			12
24	Door bin curved shallow	690823			08
25	Shelf food retainer	691188			08

* With a request for information or service, always provide the serial number of the refrigerator. The serial number is the code below the barcode on the identification label.



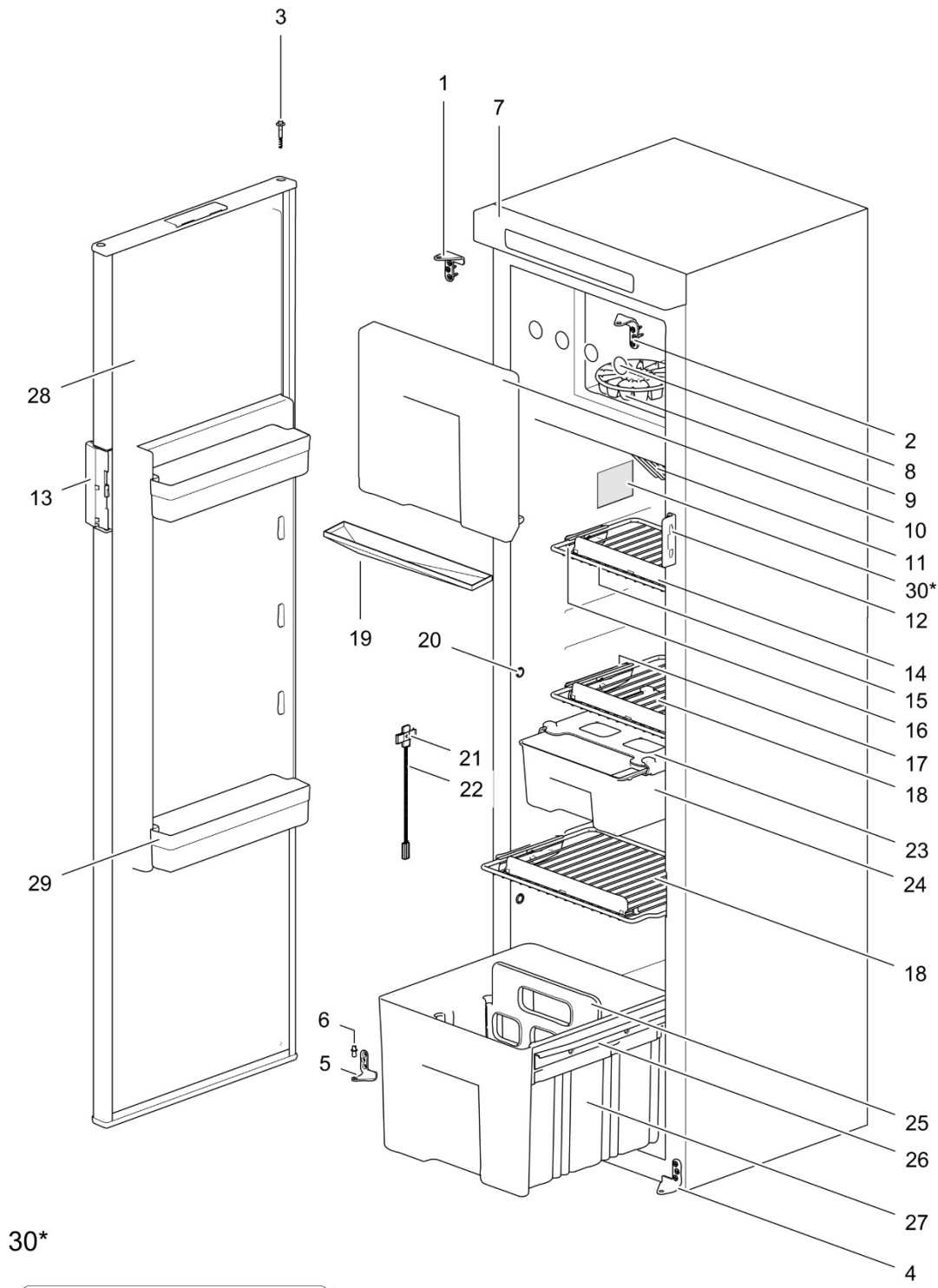
34*



LE1111_N3141-front

		Spare part number	Spare part number	Colours available
1	Hinge plate top left	691456		27
2	Hinge plate top right			
3	Hinge pin (including spring)			
4	Hinge plate bottom right			
5	Hinge plate bottom left			
6	Hinge pin bottom			
7	Control panel	<i>Refer to page 38</i>		
8	Cap freezer bolt (12x)	624479		08
9	Ice cube tray			
10	Freezer door		691112	08
	Hinge freezer door (2x)	624680		
11	Fin			
12	Door lock plate		691113	
13	Door handle			
14	Shelf food retainer	691114		08
15	Shelf 340 x 182	691115		08
16	Clip shelf small	623626		08
17	Clip shelf large	623625		08
18	Shelf 340 x 241	691116		08
19	Drip tray	691885		08
20	Cap (2x)	623622		08
21	Fin clip	623059		
22	Thermistor	623077		
23	Guiding cover	691118		08
24	Slide-out box	692253		144
25	Shelf 340 x 268	691117		08
26	Divider bar	Not available		
27	Drawer handle	691287		27
28	Drawer divider	691120		08
29	Drawer guides	691123		
30	Drawer bin	691288		08
31	Drawer door	690521		27R
32	Cabinet door	690519		27R
33	Door bin	692254		144
34	Identification label*			

* With a request for information or service, always provide the serial number of the refrigerator. The serial number is the code below the barcode on the identification label.



30*

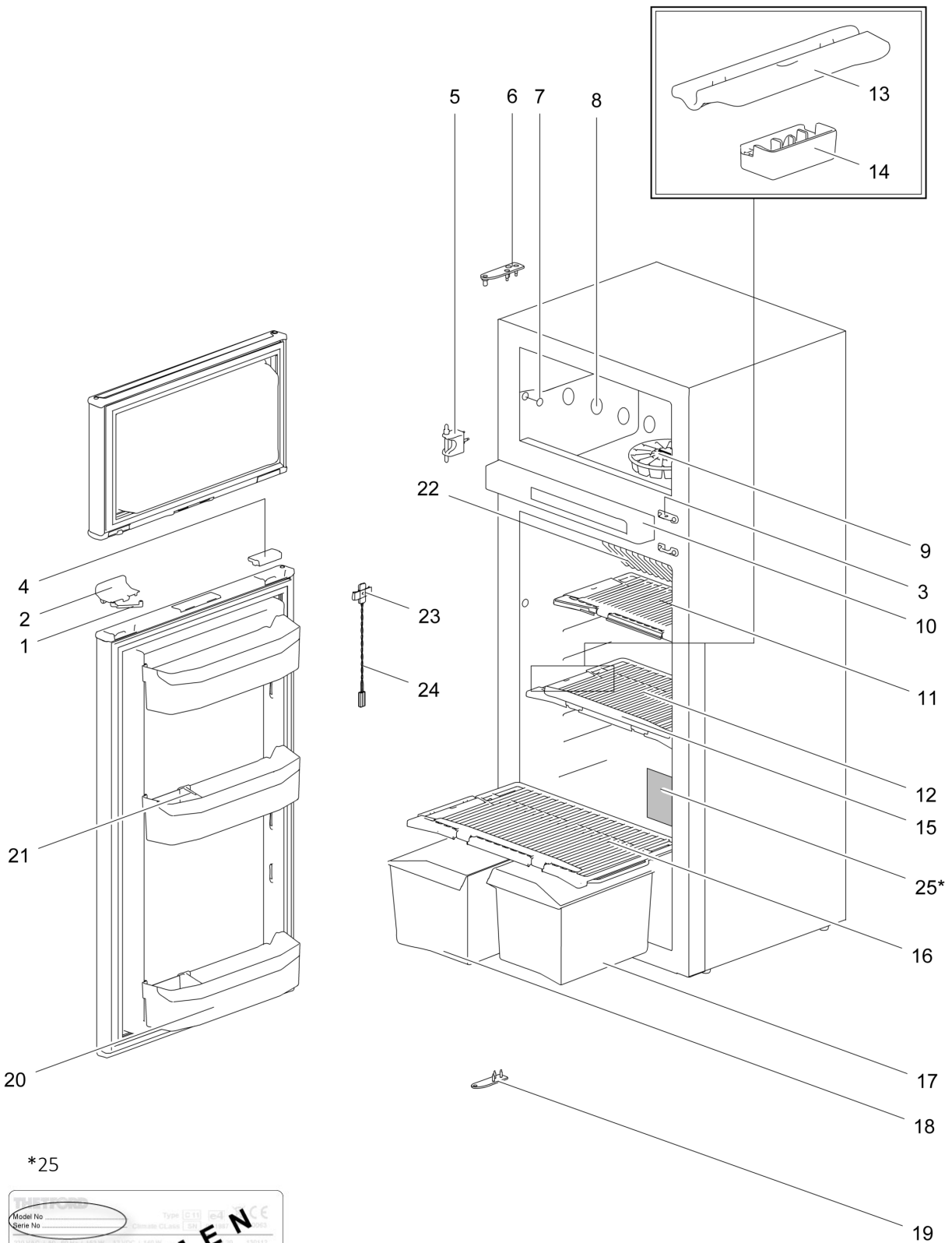
Model No Serie No		Type 511	
(330 V) (50/60 Hz) (1000 W) (1000 W) (12 VDC) (140 W)		(330 V) (50/60 Hz) (1000 W) (1000 W) (12 VDC) (140 W)	
(330 V) (50/60 Hz) (1000 W) (1000 W) (12 VDC) (140 W)		(330 V) (50/60 Hz) (1000 W) (1000 W) (12 VDC) (140 W)	
(330 V) (50/60 Hz) (1000 W) (1000 W) (12 VDC) (140 W)		(330 V) (50/60 Hz) (1000 W) (1000 W) (12 VDC) (140 W)	
(330 V) (50/60 Hz) (1000 W) (1000 W) (12 VDC) (140 W)		(330 V) (50/60 Hz) (1000 W) (1000 W) (12 VDC) (140 W)	
(330 V) (50/60 Hz) (1000 W) (1000 W) (12 VDC) (140 W)		(330 V) (50/60 Hz) (1000 W) (1000 W) (12 VDC) (140 W)	
(330 V) (50/60 Hz) (1000 W) (1000 W) (12 VDC) (140 W)		(330 V) (50/60 Hz) (1000 W) (1000 W) (12 VDC) (140 W)	
(330 V) (50/60 Hz) (1000 W) (1000 W) (12 VDC) (140 W)		(330 V) (50/60 Hz) (1000 W) (1000 W) (12 VDC) (140 W)	
(330 V) (50/60 Hz) (1000 W) (1000 W) (12 VDC) (140 W)		(330 V) (50/60 Hz) (1000 W) (1000 W) (12 VDC) (140 W)	
(330 V) (50/60 Hz) (1000 W) (1000 W) (12 VDC) (140 W)		(330 V) (50/60 Hz) (1000 W) (1000 W) (12 VDC) (140 W)	
(330 V) (50/60 Hz) (1000 W) (1000 W) (12 VDC) (140 W)		(330 V) (50/60 Hz) (1000 W) (1000 W) (12 VDC) (140 W)	
(330 V) (50/60 Hz) (1000 W) (1000 W) (12 VDC) (140 W)		(330 V) (50/60 Hz) (1000 W) (1000 W) (12 VDC) (140 W)	
(330 V) (50/60 Hz) (1000 W) (1000 W) (12 VDC) (140 W)		(330 V) (50/60 Hz) (1000 W) (1000 W) (12 VDC) (140 W)	
(330 V) (50/60 Hz) (1000 W) (1000 W) (12 VDC) (140 W)		(330 V) (50/60 Hz) (1000 W) (1000 W) (12 VDC) (140 W)	
(330 V) (50/60 Hz) (1000 W) (1000 W) (12 VDC) (140 W)		(330 V) (50/60 Hz) (1000 W) (1000 W) (12 VDC) (140 W)	
(330 V) (50/60 Hz) (1000 W) (1000 W) (12 VDC) (140 W)		(330 V) (50/60 Hz) (1000 W) (1000 W) (12 VDC) (140 W)	
(330 V) (50/60 Hz) (1000 W) (1000 W) (12 VDC) (140 W)		(330 V) (50/60 Hz) (1000 W) (1000 W) (12 VDC) (140 W)	
(330 V) (50/60 Hz) (1000 W) (1000 W) (12 VDC) (140 W)		(330 V) (50/60 Hz) (1000 W) (1000 W) (12 VDC) (140 W)	
(330 V) (50/60 Hz) (1000 W) (1000 W) (12 VDC) (140 W)		(330 V) (50/60 Hz) (1000 W) (1000 W) (12 VDC) (140 W)	

SPECIMEN

LE1110_N3142-front

		Spare part number	Spare part number	Colours available
1	Hinge plate left	691456		27
2	Hinge plate right			
3	Hinge pin (including spring)			
4	Hinge plate bottom right			
5	Hinge plate bottom left			
6	Hinge pin bottom			
7	Control panel	<i>Refer to page 38</i>		
8	Cap freezer bolt (12x)	624479		08
9	Ice cube tray			
10	Freezer door		691112	08
	Hinge freezer door (2x)	624680		
11	Fin			
12	Door lock plate		691113	
13	Door handle			
14	Shelf food retainer	691114		08
15	Shelf 340 x 182	691115		08
16	Clip shelf small	623626		08
17	Clip shelf large	623625		08
18	Shelf 340 x 241	691116		08
19	Drip tray	691885		08
20	Cap (2x)	623622		08
21	Fin clip	623059		
22	Thermistor	623077		
23	Guiding cover	691118		08
24	Slide-out box	692253		144
25	Drawer divider	691120		08
26	Drawer guides	691122		
27	Drawer bin	691457		08
28	Cabinet door	690517		27R
29	Door bin	692254		144
30	Identification label*			

* With a request for information or service, always provide the serial number of the refrigerator. The serial number is the code below the barcode on the identification label.



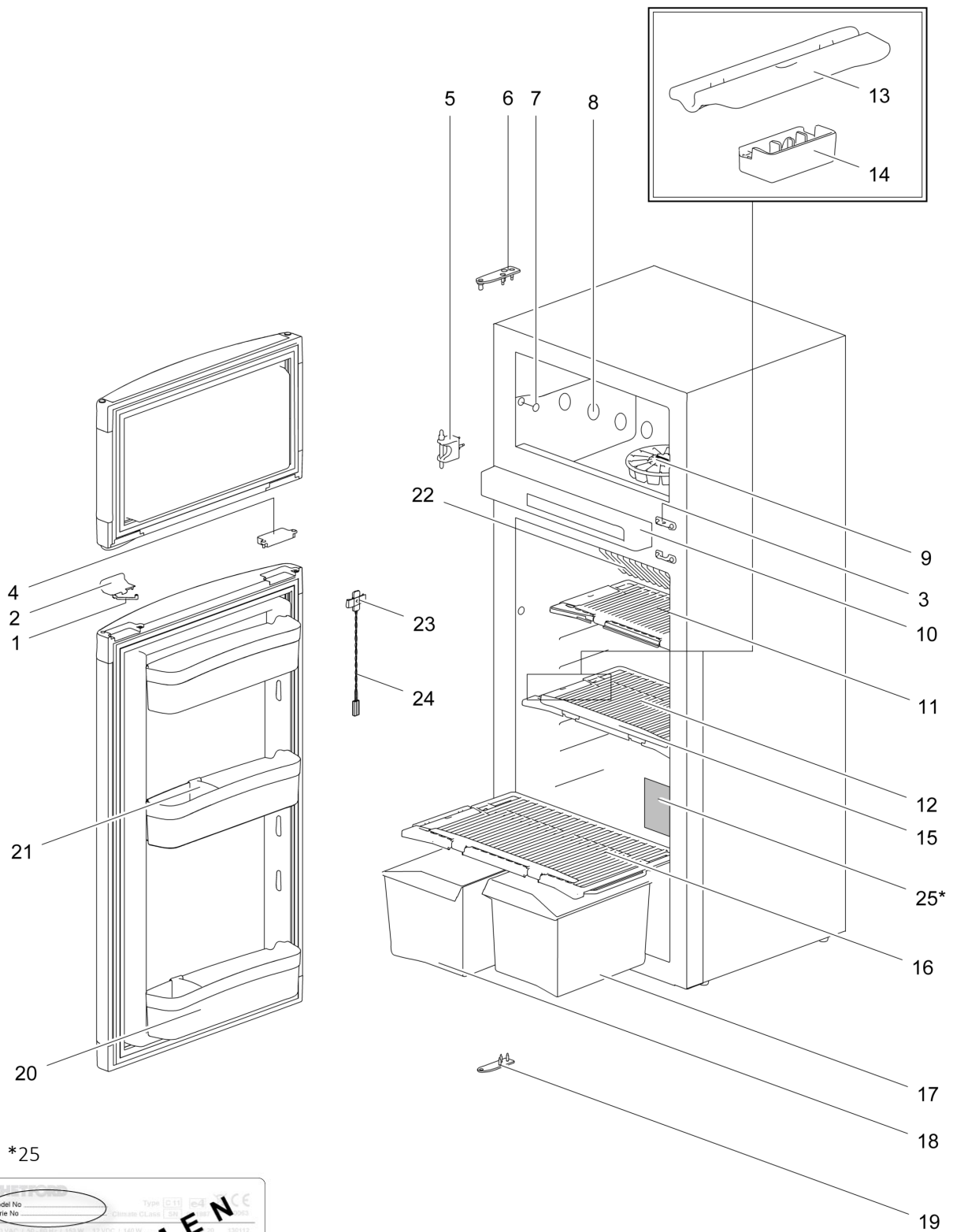
*25

Model No.	Typ	CE	CE
Serie No.	CHARM CLASS	EN	EN
SPECIMEN			
Größe Volumen	100 L		
Statische Volumen			
Volumen Brutto			
Statische Volumen			
Freier Volumen			
Gefrierfach Vol.	100 L		
Volumen Gefrierfach			
Volumen Gefrierfach			
Netto Volumen			
Netto Volumen			
Netto Volumen			
CE 0043 BNS297	Part No.	E34807	
ABSORBER	N45 = 154,9 g	N42R08 = 10,1 g	p max = 21 bar
CPFC/HCFC, FREE / FKW, FCKW FREE			920019 9020_SchWF10gr_EUR

N3145-front_0718-V04

		Spare part number	Spare part number	Spare part number	Colours available
1	Storage strap (2x)	626986	691468		27
2	Latch				
3	Strike plate				
4	Pocket cover				
5	Hinge center				
6	Hinge plate				08
7	Cap (2x)	623622			08
8	Cap freezer bolt (12x)	624479			08
9	Ice cube tray				
10	Control panel	<i>Refer to page 32</i>			
11	Shelf rack 415 x 150	692510			144
12	Shelf rack 415 x 200	692511			144
13	Clip shelf rack small	692513			08
14	Clip rack safety lock	692515			08
15	Food retainer	692516			08
16	Shelf rack 415 x 200	692511			144
17	Vegetable bin right	692523			144
18	Vegetable bin left	692522			144
19	Hinge Plate				
20	Door bin flat	692519			144
21	Bottle retainer	692521			08
22	Fin				
23	Fin clip (3x)	623059			
24	Thermistor	623077			
25*	Identification label				

* With a request for information or service, always provide the serial number of the refrigerator. The serial number is the code below the barcode on the identification label.



*25

TRISTAR Model No. <input type="text"/> Type C11 Serie No. <input type="text"/> Climate Class S1	
205 V/50 Hz 150 W / 150 W 12 VDC / 140 W 205 V/50 Hz 150 W / 150 W 12 VDC / 140 W	
Brutto Volumen Netto Volumen Volumen Behälter Brutto Volumen	150 l 100 l 30 l 150 l
Energieverbrauch Güterverbrauch kWh Volumen Kühlraum Kühlraum Kühlraum Netto Volumen	0,00331-38-3837 kWh/a (SHP) 0,30031-30 kWh/a 100 l 100 l 100 l 100 l
CE 0003 000007 ABSORBER NH3 = 154,8 g CPFC HCFC, FREE / FKW, FCKW FREE	Part No. 034007 N4ZER04 = 10,1 g p.max = 21 bar 000010 0030_SerieF100g_EUR

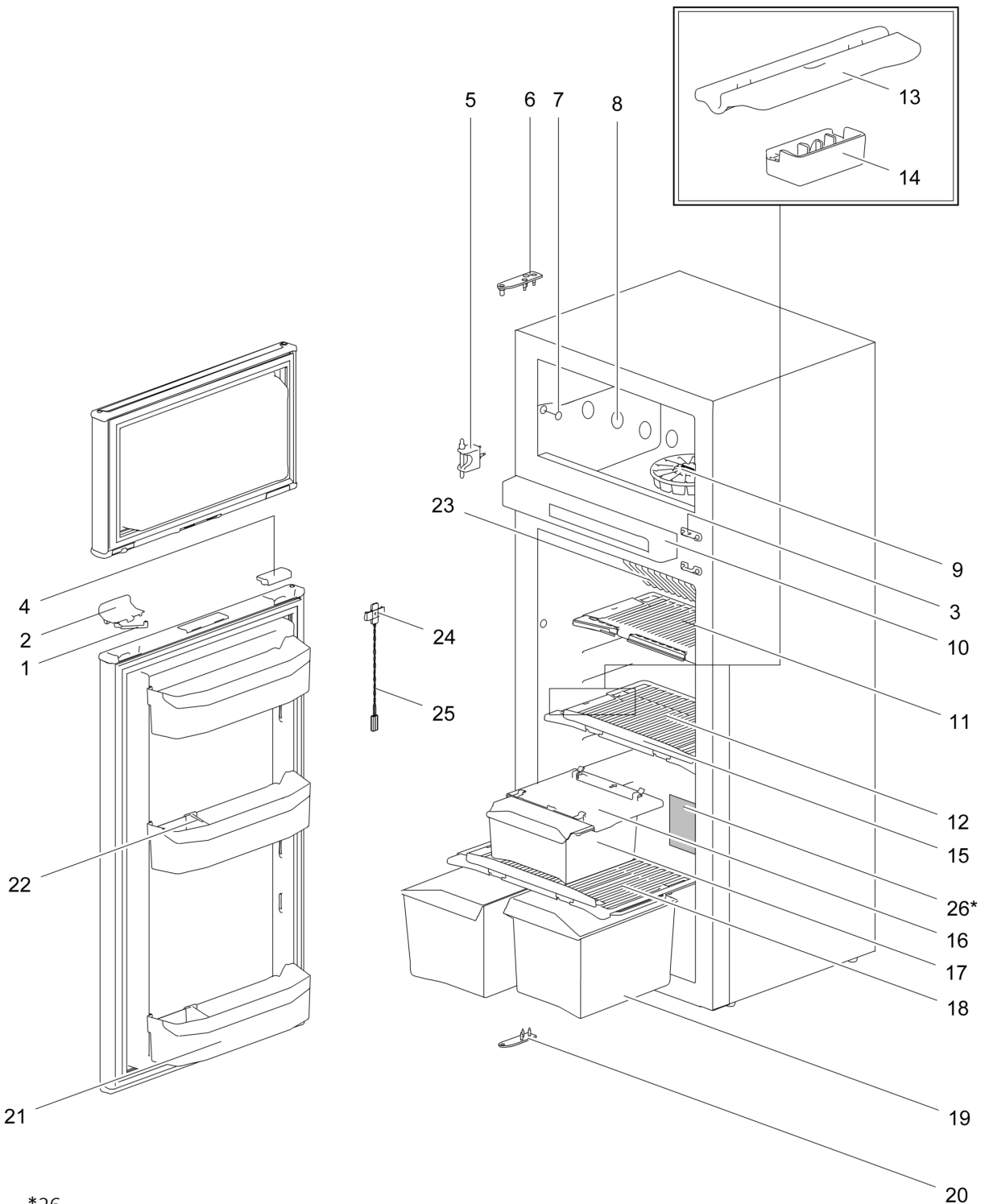
SPECIMEN

Barcode: E013N1000011

N3150-front_0718-V04

		Spare part number	Spare part number	Spare part number	Colours available
1	Storage strap (2x)	626986	691739		27
2	Latch				
3	Strike plate				
4	Pocket cover				
5	Hinge center				
6	Hinge plate				08
7	Cap (2x)	623622			08
8	Cap freezer bolt (12x)	624479			08
9	Ice cube tray				
10	Control panel	<i>Refer to page 32</i>			
11	Shelf rack 415 x 150	692510			144
12	Shelf rack 415 x 200	692511			144
13	Clip shelf rack small	692513			08
14	Clip rack safety lock	692515			08
15	Food retainer	692516			08
16	Shelf rack 415 x 200	692511			144
17	Vegetable bin right	692523			144
18	Vegetable bin left	692522			144
19	Hinge Plate				
20	Door bin curved	692520			144
21	Bottle retainer	692521			08
22	Fin				
23	Fin clip (3x)	623059			
24	Thermistor	623077			
25*	Identification label				

* With a request for information or service, always provide the serial number of the refrigerator. The serial number is the code below the barcode on the identification label.



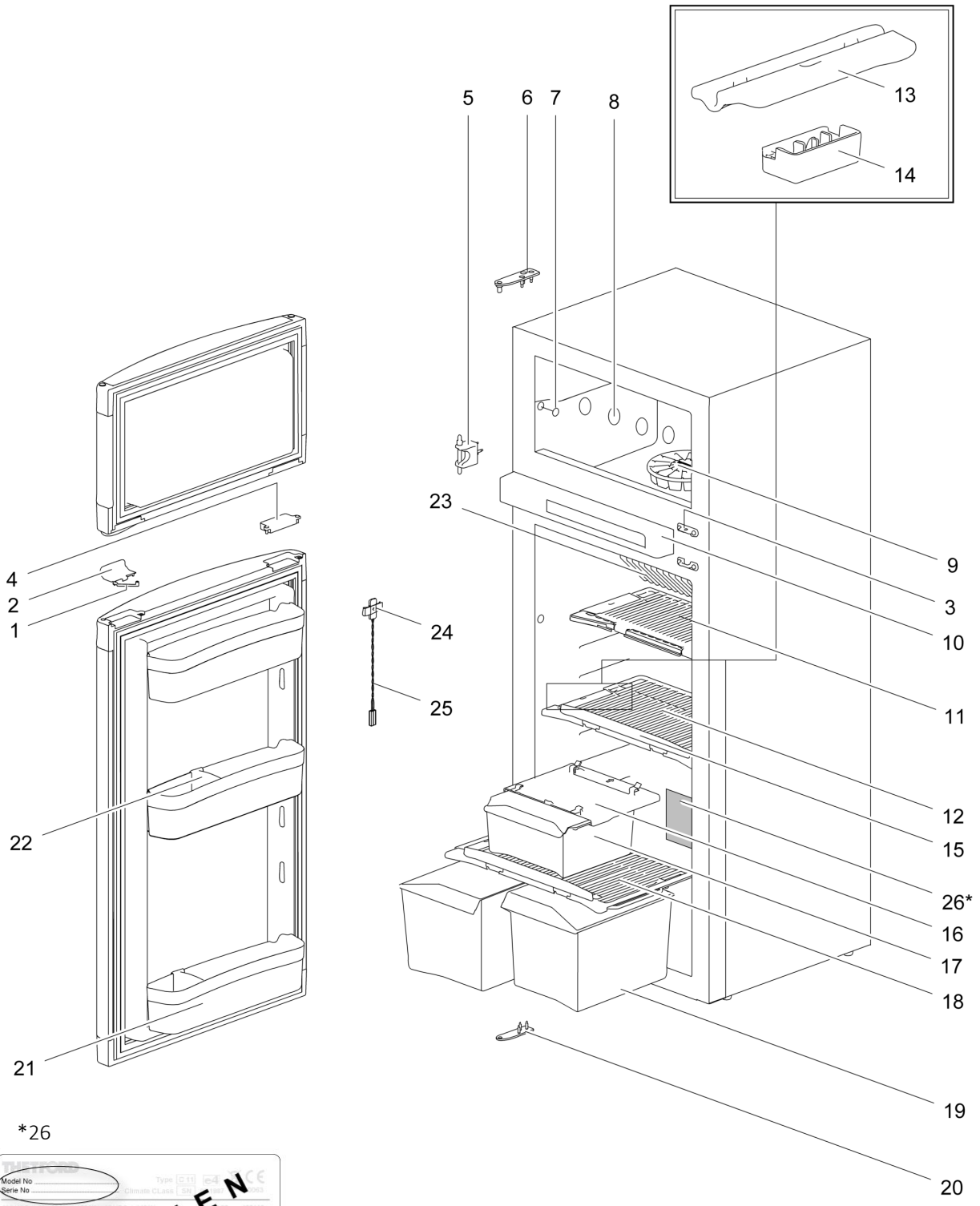
*26

LE1063-N3170-front_0518-V04

Model No	Typ	CE
Serie No	Chassis Class	EN 15131
SPECIMEN		
Grosses Volumen	198 L	
Netto Volumen		
Volumen Brutto		
Netto Volumen		
Freier Volumen	120 L	
Gefrierfach Vol.	120 L	
Volumen Gefrierfach	120 L	
Volumen Gefrierfach	120 L	
Netto Volumen	120 L	
Netto Volumen	120 L	
Netto Volumen	120 L	
CE 0043 BR2297	Part No	034007
Absorber	145 x 154 g	10,1 g
g max	21 bar	
CFC/HCFC, FREE / PFK, PKOW FREE		920019
		9020_SchW/10gr_EUR

		Spare part number	Spare part number	Spare part number	Colours available
1	Storage strap (2x)	626986	691468		27
2	Latch				
3	Strike plate				
4	Pocket cover				
5	Hinge center				
6	Hinge plate				
7	Cap (2x)	623622			08
8	Cap freezer bolt (12x)	624479			08
9	Ice cube tray				
10	Control panel	<i>Refer to page 32</i>			
11	Shelf rack 415 x 200	692511			144
12	Shelf rack 415 x 250	692512			144
13	Clip shelf rack small	692513			08
14	Clip rack safety lock	692515			08
15	Food retainer	692516			08
16	Slide out box guide	692518			144
17	Slide out box	692517			144
18	Shelf rack 415 x 250	692512			144
19	Vegetable bin reversible	692524			144
20	Hinge plate				
21	Door bin flat	692519			144
22	Bottle retainer	692521			08
23	Fin				
24	Fin clip	623059			
25	Thermistor	623077			
26	Identification label				

* With a request for information or service, always provide the serial number of the refrigerator. The serial number is the code below the barcode on the identification label.



*26

TECHNICAL SPECIFICATIONS

Model No	Type	CE
Series No	Climate Class	2010
230 VAC, 50/60 Hz, 150 W, 12 VDC, 140 W		
Netto Volume	Brutto Volume	Volume Bruto
108 L	130 L	130 L
Freezer Volume	Chillrefrigerator Volume	Volume Congelatore
10 L	100 L	100 L
Netto Volume	Brutto Volume	Volume Bruto
10 L	130 L	130 L
CE 0803 BM207	Part No	031907
ABSORBER NH3 = 154.9 g	NA2CO3 = 10.1 g	p max = 21 bar
CFP: HCFC, FREE: PFC, FCKW FREE	R20019 8030_SeriesFridge_EUR	

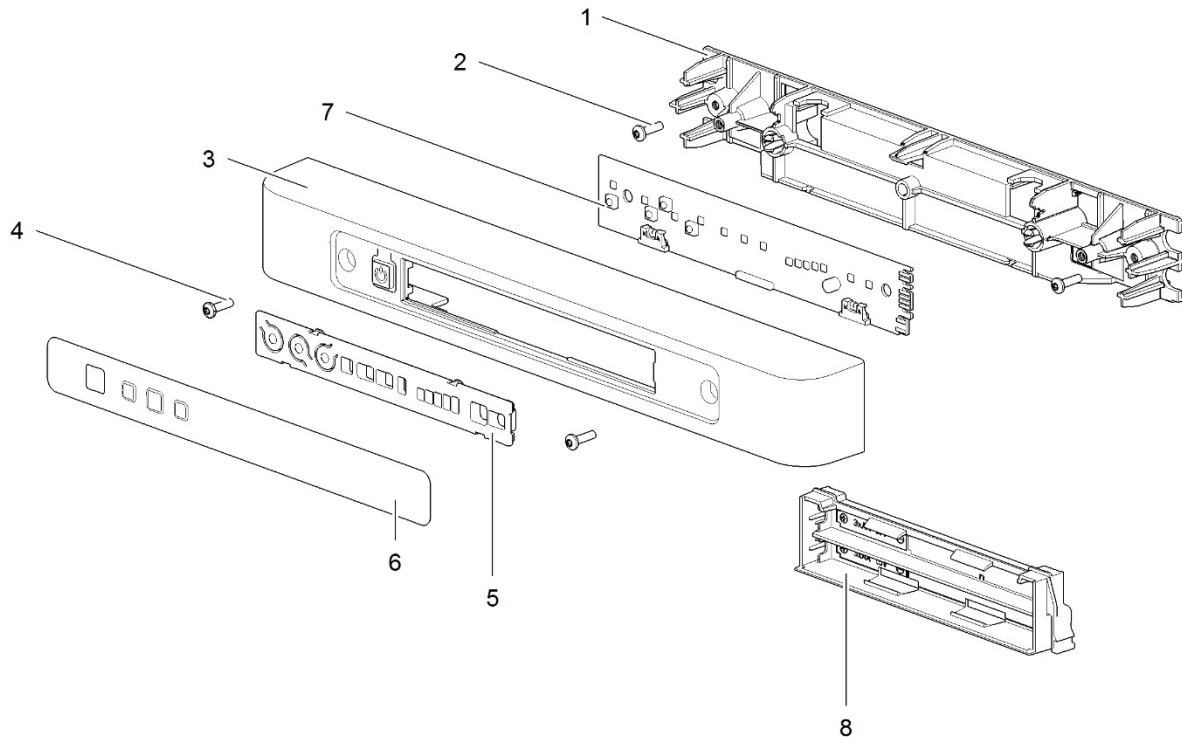
SPECIMEN

Barcode: E013N1000611

LE1063-N3170-front_0518-V04

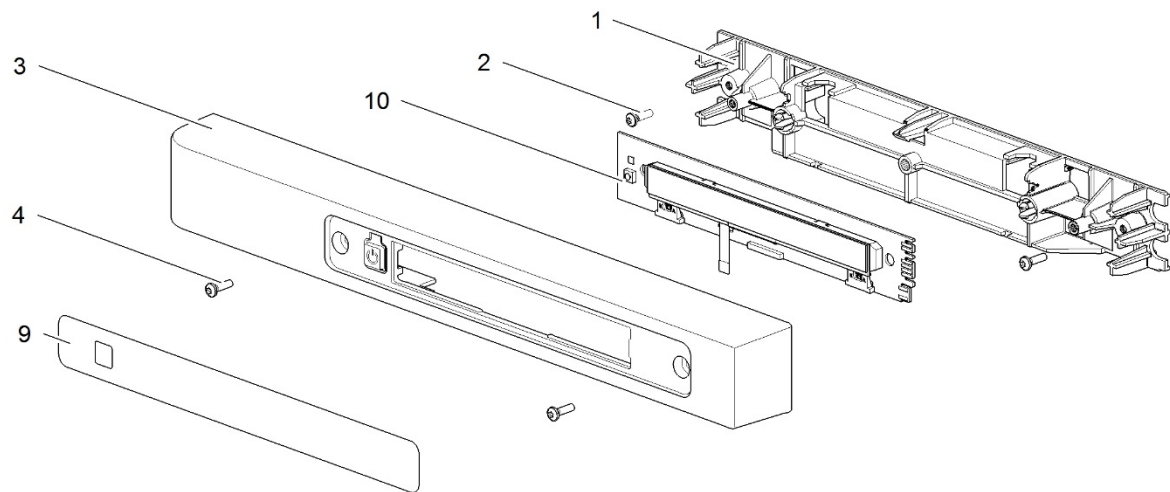
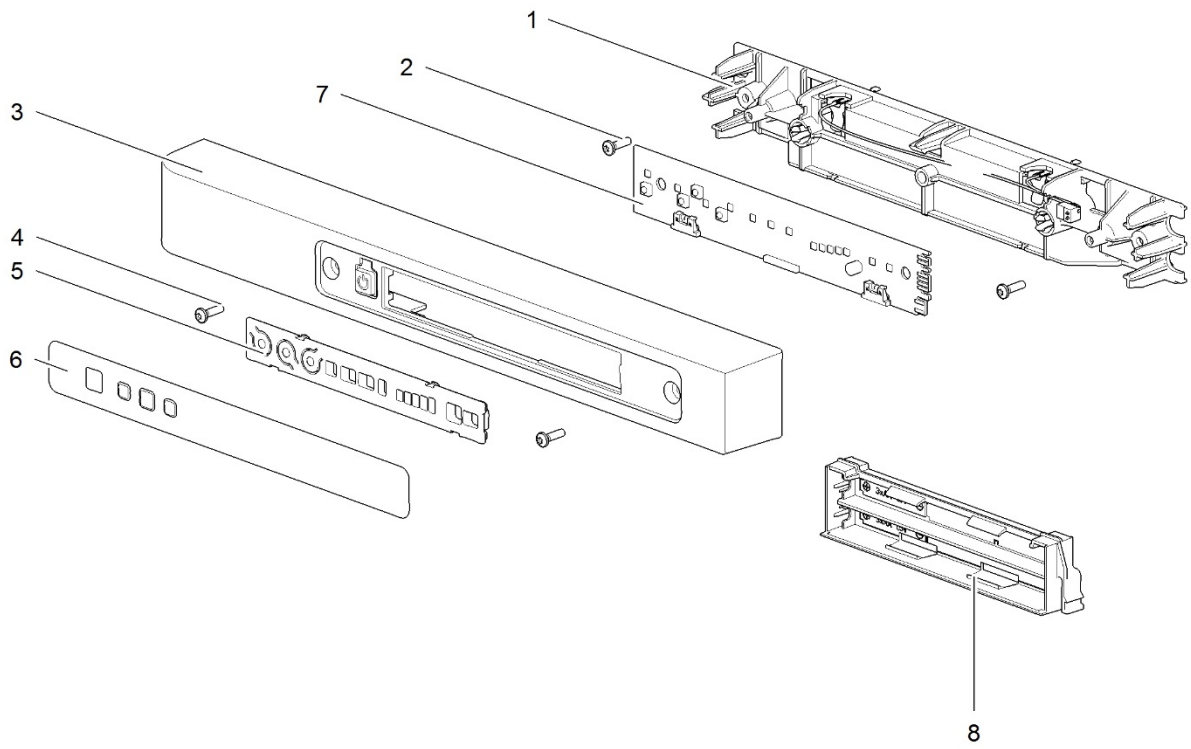
		Spare part number	Spare part number	Spare part number	Colours available
1	Storage strap (2x)	626986	691739		27
2	Latch				
3	Strike plate				
4	Pocket cover				
5	Hinge center				
6	Hinge plate				
7	Cap (2x)	623622			08
8	Cap freezer bolt (12x)	624479			08
9	Ice cube tray				
10	Control panel	<i>Refer to page 32</i>			
11	Shelf rack 415 x 200	692511			144
12	Shelf rack 415 x 250	692512			144
13	Clip shelf rack small	692513			08
14	Clip rack safety lock	692515			08
15	Food retainer	692516			08
16	Slide out box guide	692518			144
17	Slide out box	692517			144
18	Shelf rack 415 x 250	692512			144
19	Vegetable bin reversible	692524			144
20	Hinge plate				
21	Door bin curved	692520			144
22	Bottle retainer	692521			08
23	Fin				
24	Fin clip	623059			
25	Thermistor	623077			
26	Identification label				

* With a request for information or service, always provide the serial number of the refrigerator. The serial number is the code below the barcode on the identification label.



		Spare part number	Spare part number	Spare part number	Colours available
1	Technical panel flat	690806			
2	Screws				
3	Housing flat	690807			27
4	Screws				
5	Overlay LED+		692242		
6	Sticker LED+	692240		692243	
7	PCB LED+ DM				
	PCB LED+ DM FOR BATTERY PACK			692244 ¹	
8	Battery hatch				
	Battery pack	690225			27

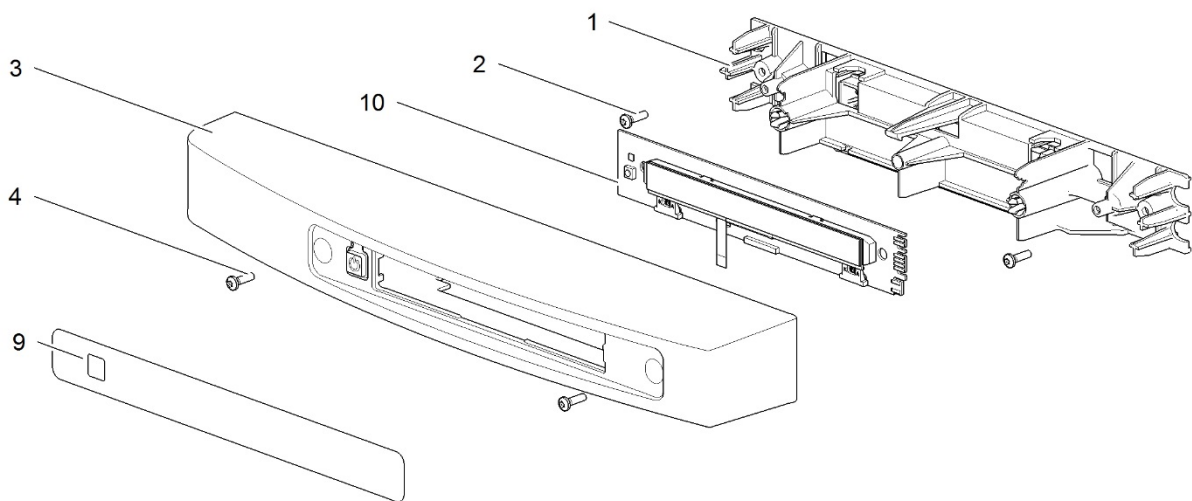
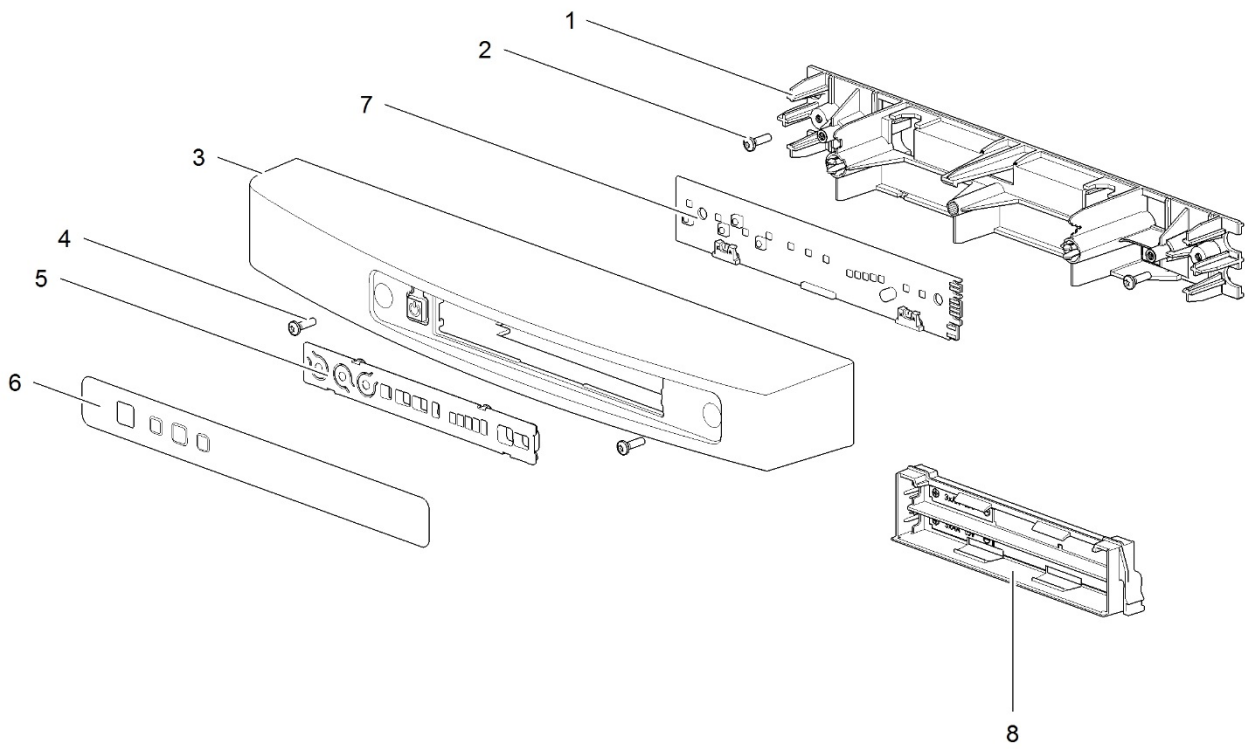
¹including spare part 'sticker LED+' (#6)



LE1004_Control Panel+flat525_1214-V04

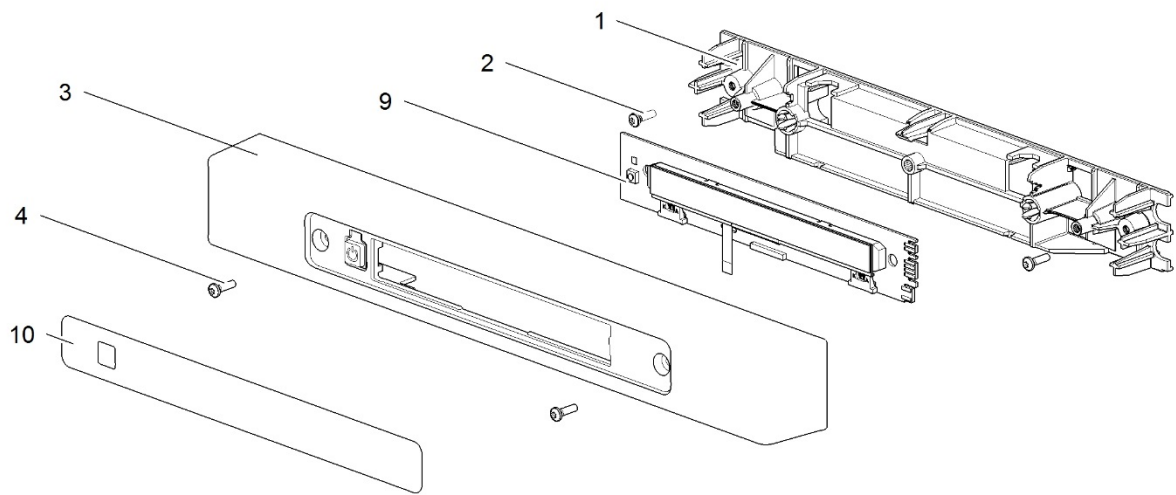
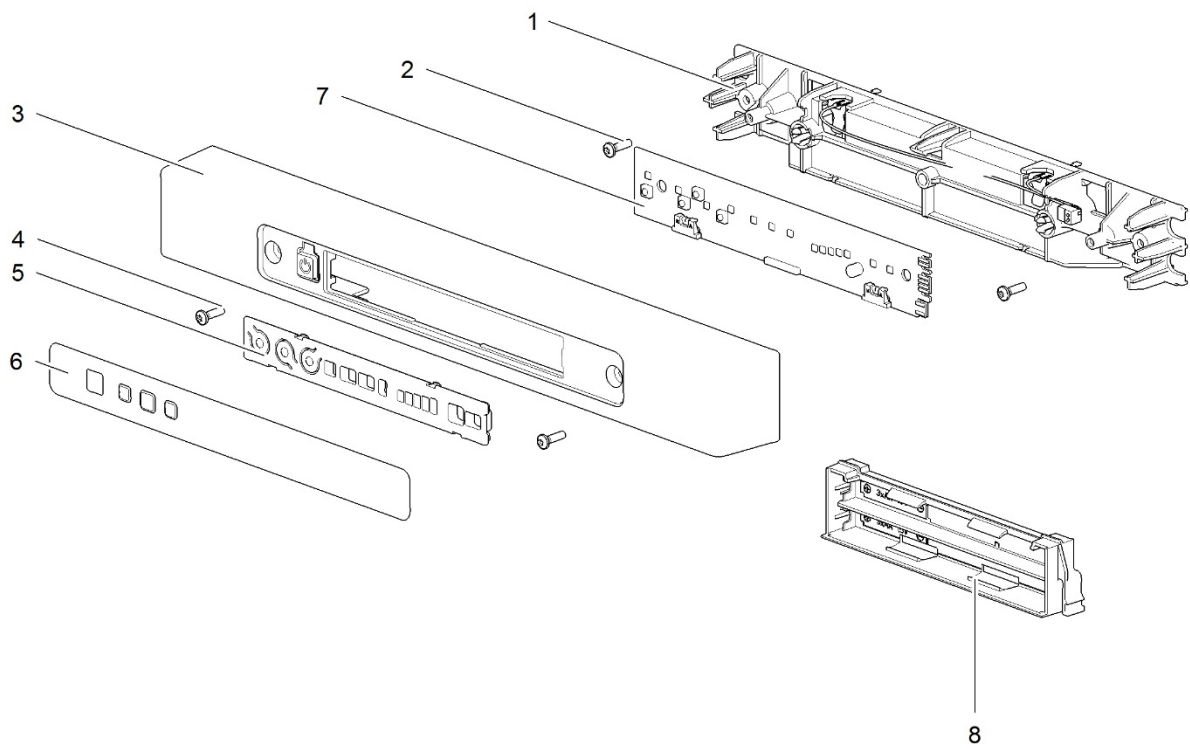
		Spare part number	Spare part number	Spare part number	Colours available
1	Technical panel flat	690806			
2	Screws				
3	Housing flat				
	Right hinged flat door 10 mm	691463			27
	Left hinged flat door 10 mm	691464			27
4	Screws				
5	Overlay LED+		692242		
6	Sticker LED+	692240		692243	
7	PCB LED+ DM				
	PCB LED+ DM FOR BATTERY PACK			692244 ¹	
8	Battery hatch				
	Battery pack	690225			27
9	Sticker LCD	692241			
			692245		
10	PCB LCD DM				

¹ including spare part 'Sticker LED+' (#6)



		Spare part number	Spare part number	Spare part number	Colours available
1	Technical panel curved	690825			
2	Screws				
3	Housing curved				
	Right hinged	690826			27
	Left hinged	690827			27
4	Screws				
5	Overlay LED+		692242		
6	Sticker LED+	692240		692243	
7	PCB LED+ DM				
	PCB LED+ DM FOR BATTERY PACK			692244 ¹	
8	Battery hatch				
	Battery pack	690225			27
9	Sticker LCD	692241			
10	PCB LCD DM		692245		

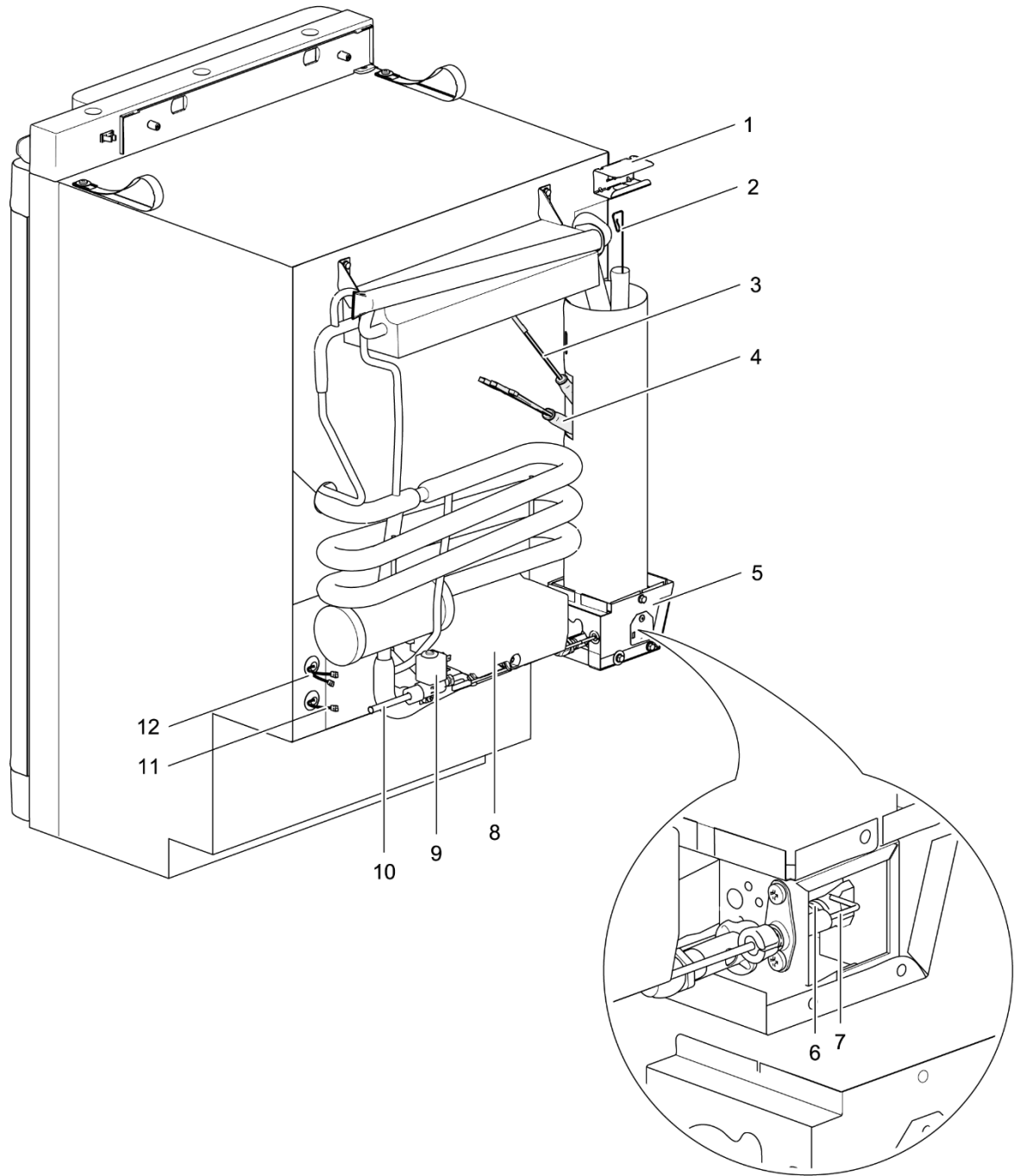
¹ including spare part 'Sticker LED+' (#6)



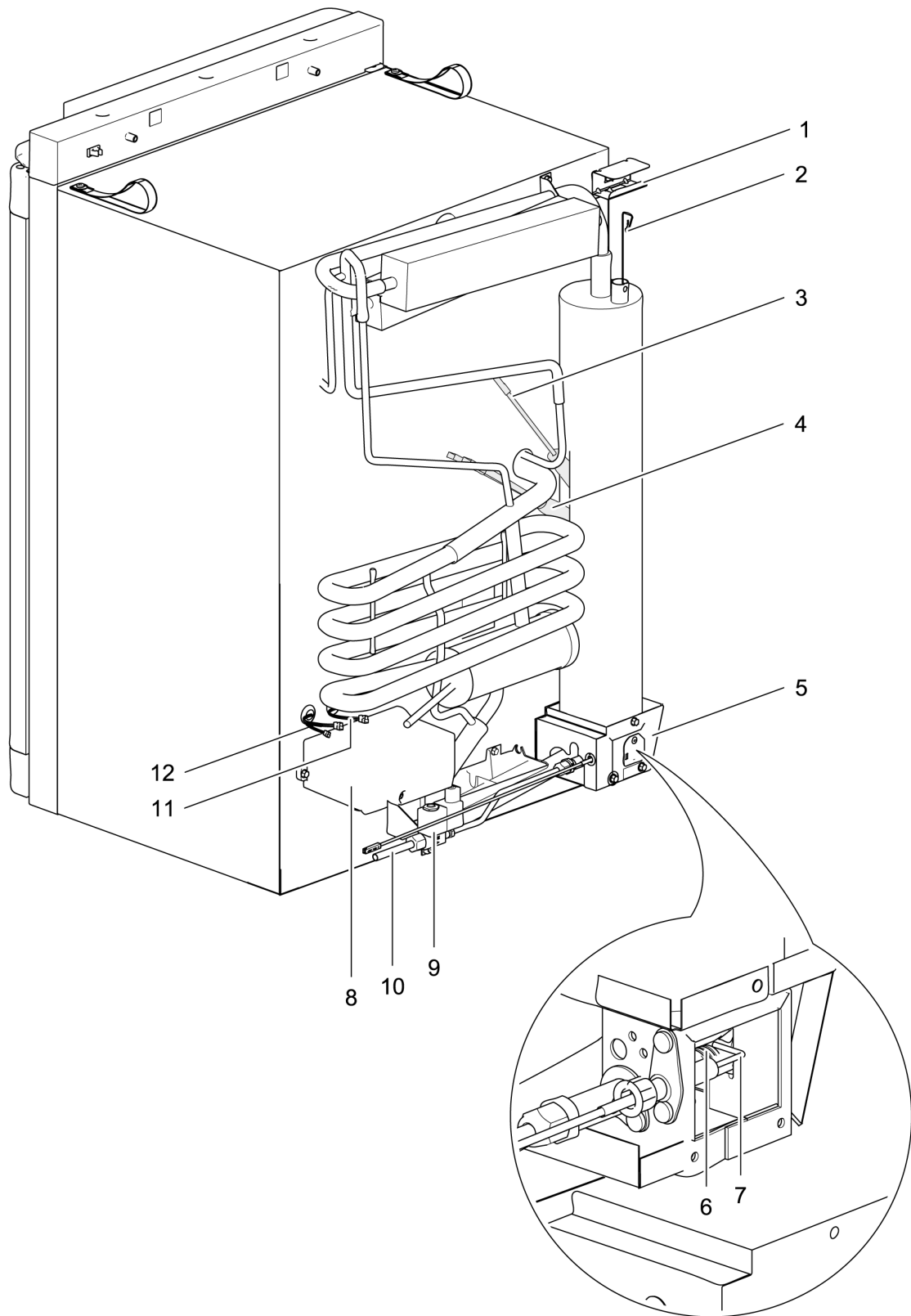
		Spare part number	Spare part number	Spare part number	Colours available
1	Technical panel flat	691102			
2	Screws				
3	Housing flat		691104		27
4	Screws				
5	Overlay LED+		692242		
6	Sticker LED+	692240		692243	
7	PCB LED+ DM				
	PCB LED+ DM FOR BATTERY PACK			692244 ¹	
8	Battery hatch				
	Battery pack	690225			27
9	PCB LCD DM				
10	Sticker LCD	692241	692245		

¹ including spare part 'Sticker LED+' (#6)

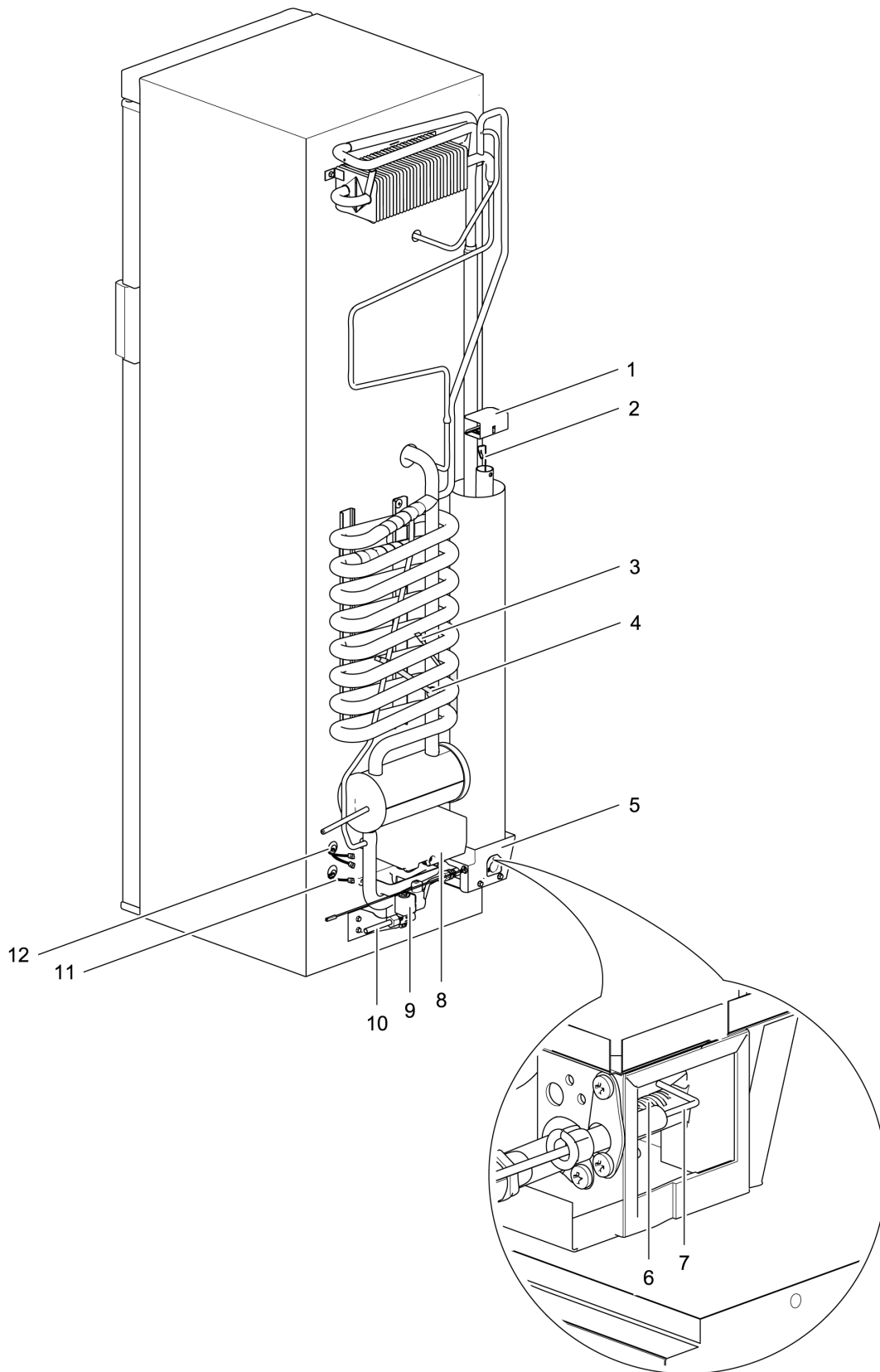
N4080-N4090-N4097-N4108-N4112-back



		Spare part number	Spare part number	Colours available
1	Heat cap	690812		
2	Heat diffuser	690878		
3	Heater AC	692250		
4	Heater DC	633574		
5	Heater box			
6	Burner assembly	634570		
7	Spark electrode	690813		
8	Power control board	692247		
9	Gas valve	690810		
10	Gas pipe			
11	Thermistor cable			
	Loose connector temperature <i>power board side</i>	690855	690853	
12	Communication cable			
	Loose connectors communication and CI-bus	coming soon	coming soon	

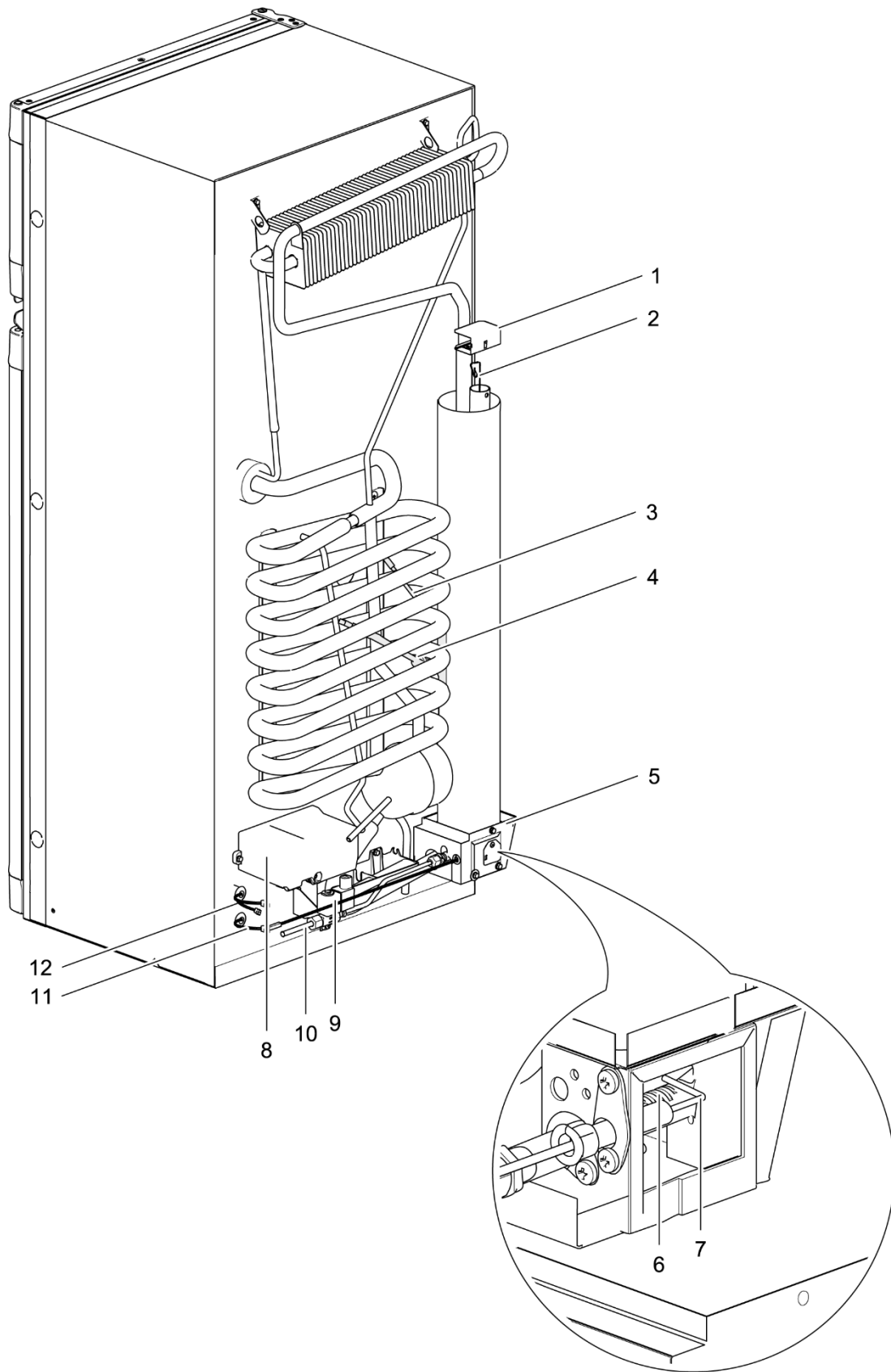


		Spare part number	Spare part number	Colours available
1	Heat cap	690812		
2	Heat diffuser	690878		
3	Heater AC	692250		
4	Heater DC	633574		
5	Heater box			
6	Burner assembly	623019		
7	Spark electrode	690830		
8	Power control board	692247		
9	Gas valve	690810		
10	Gas pipe			
11	Thermistor cable			
	Loose connector temperature <i>power board side</i>	690855	690853	
12	Communication cable			
	Loose connectors communication and CI-bus	coming soon	coming soon	



N4141-N4142-back

		Spare part number	Spare part number	Colours available
1	Heat cap	690839		
2	Heat diffuser			
3	Heater AC	691193		
4	Heater DC	691125		
5	Heater box			
6	Burner assembly	623058		
7	Spark electrode	690840		
8	Power control board	692247		
9	Gas valve	690810		
10	Gas pipe			
11	Thermistor cable			
	Loose connector temperature <i>power board side</i>	690855	690853	
12	Communication cable			
	Loose connectors communication and CI-bus	coming soon	coming soon	



N4145-N4150-N4170-N4175-back

		Spare part number	Spare part number	Colours available
1	Heat cap	690839		
2	Heat diffuser	690879		
3	Heater AC	691193		
4	Heater DC	691125		
5	Heater box			
6	Burner assembly	623058		
7	Spark electrode	690840		
8	Power control board	692247		
9	Gas valve	690810		
10	Gas pipe			
11	Thermistor cable			
	Loose connector temperature <i>power board side</i>	690855	690853	
12	Communication cable			
	Loose connectors communication and CI-bus	coming soon	coming soon	

Colour Numbers	Description	Colour reference
07	Traffic Grey	RAL 7042
08	White	MP 1013 MP FR 85 R7
12	Blue	RAL 5012
27(R)	Black	RAL 9005
30	Mocha	NCS S 2005-Y40R
90	Anthracite Grey	RAL 7016
136	Black Grey	RAL 7021
138R	Piano Black	AM50CI EG schwarz 8325 VA 82-99139/10